

SELECTION GUIDE

for Soldering / De-Soldering / Rework
Connection Validation Cartridges



For use with:
CV-5200, CV-500
and MX- 5000/5200, MX-500
SOLDER SYSTEMS



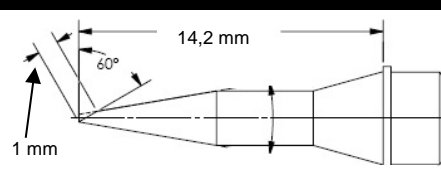
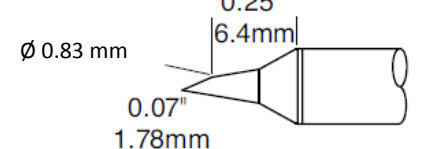
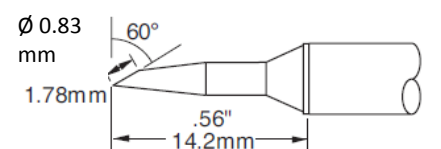
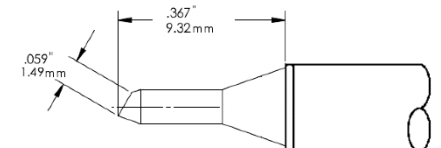
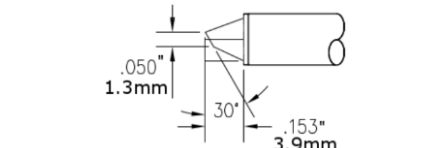
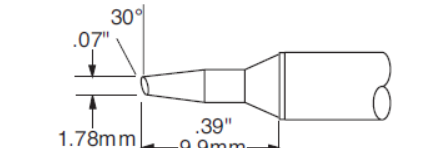
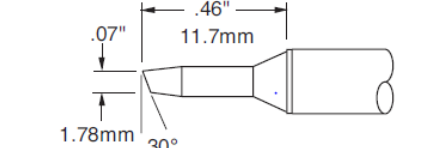
CVC Cartridges are compatible with MX-500, MX-5000, MX-5200 and CV-5200, CV-500 Systems - MX-RM3E, MX-RM6E, MX-H1-AV, MX-H7-SF - CV-H1-AV and CV-H7-AV Solder Hand pieces.

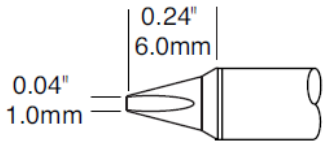
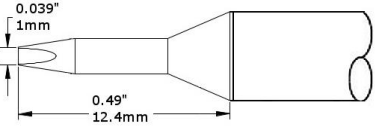
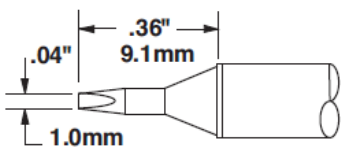
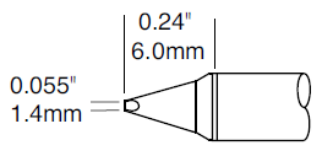
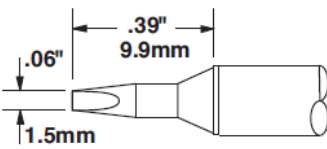
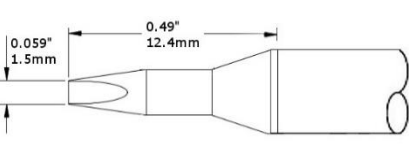
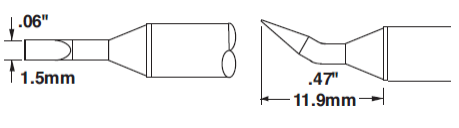
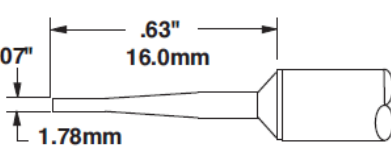
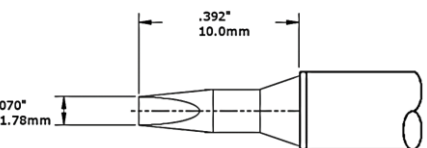
STTC Cartridges are compatible with MX-500, MX-5000 and MX-5200 Systems - MX-RM3E, MX-RM6E, MX-H1-AV and MX-H7-SF Solder Hand pieces.

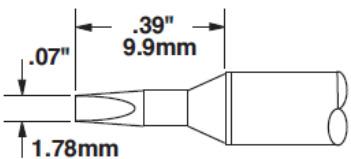
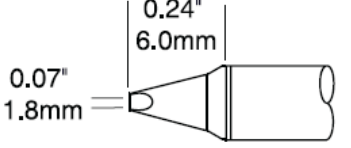
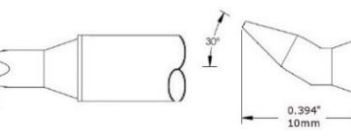
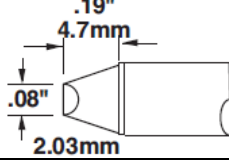
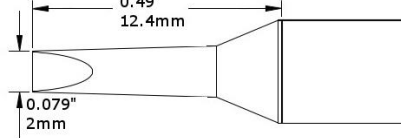
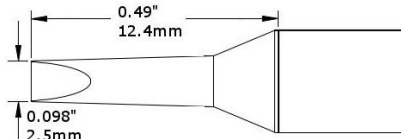
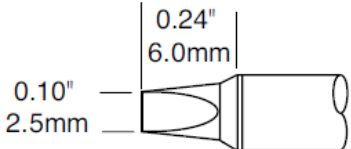
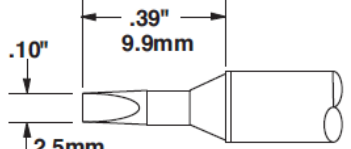
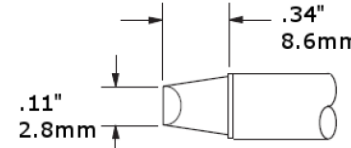
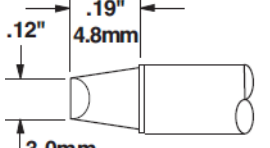


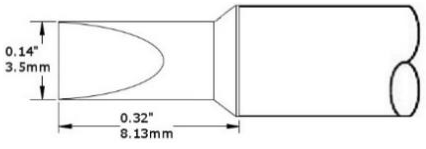
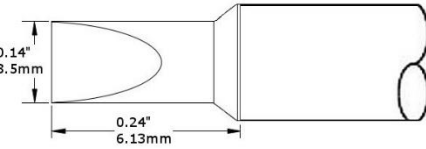
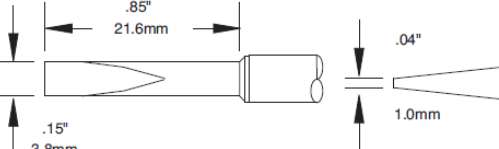
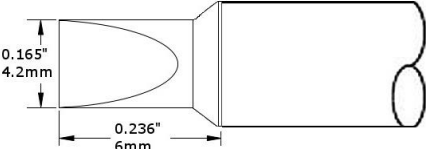
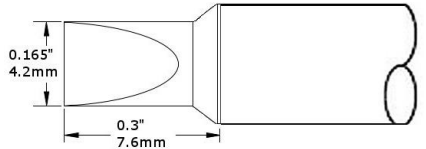
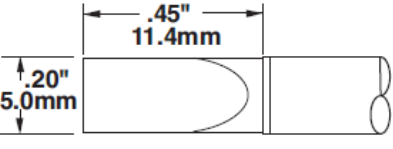
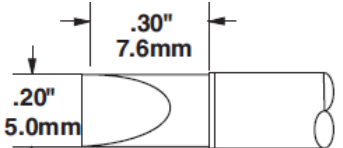
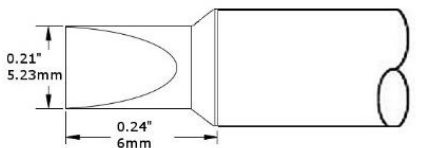
Temperature	CV-Serie	MX-Serie	Application
575 °F/302 °C	CVC-5xxx	STTC-5xx	Temperature Sensitive
675 °F/357 °C	CVC-6xxx	STTC-0xx	
775 °F/413 °C	CVC-7xxx	STTC-1xx	Most Standard
875 °F/468 °C	CVC-8xxx	STTC-8xxV1	Ceramic and High Thermal Demand
925 °F/496 °C	CVC-9xxx	STTC-8xx	

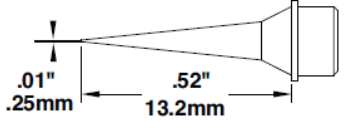
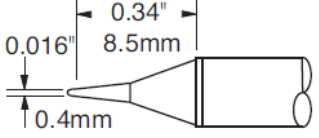
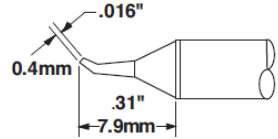
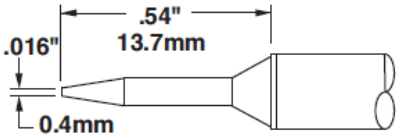
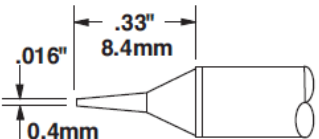
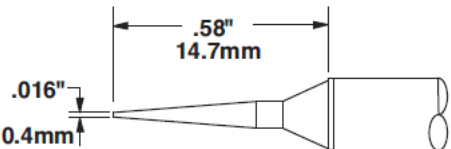
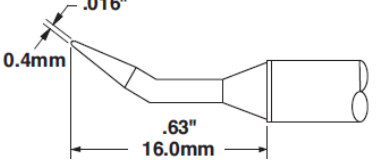
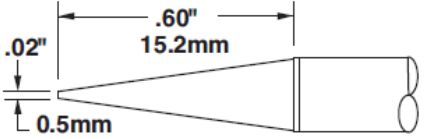
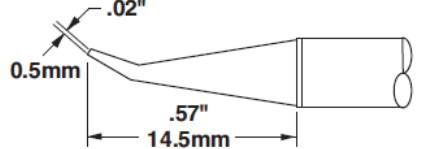
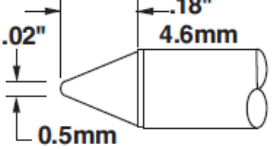
Please note the above temperatures are the maximum temperatures of the heater. The idle temperature is dependent on the geometry of the cartridge (up to 15 °C lower.)

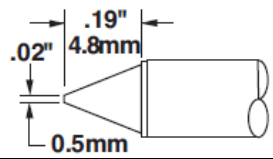
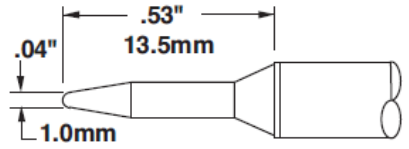
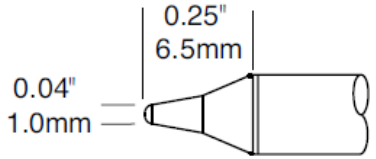
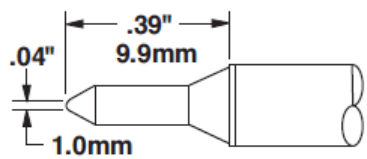
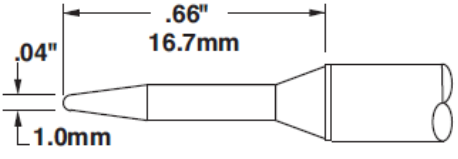
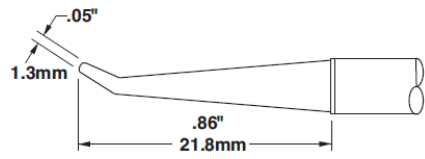
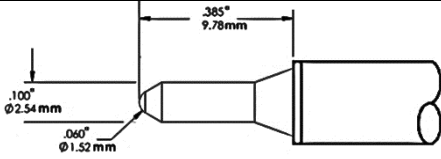
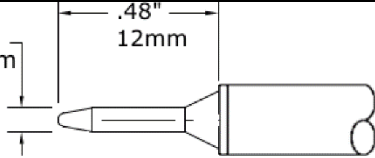
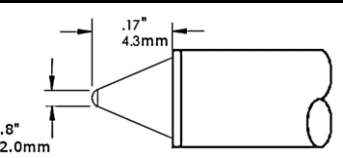
Bevel Cartridges			
	CVC-5BV6005A CVC-6BV6005A CVC-7BV6005A CVC-8BV6005A CVC-9BV6005A	STTC-546 STTC-046 STTC-146 STTC-846V1 STTC-846	Long reach, (Bevel/L) 60° x 1 mm, (ø x L) 0.50 x 14.2 mm (.04" x .56")
	CVC-5BV6018P CVC-6BV6018P CVC-7BV6018P CVC-8BV6018P CVC-9BV6018P	STTC-547P STTC-047P STTC-147P STTC-847PV1 STTC-847P	(Bevel/L) 60° x 1.78 mm, optimised geometry for best thermal performance, (ø x L) 0.83 x 6.4 mm (.07" x .25")
	CVC-5BV6018R CVC-6BV6018R CVC-7BV6018R CVC-8BV6018R CVC-9BV6018R	STTC-547 STTC-047 STTC-147 STTC-847V1 STTC-847	Long reach, (Bevel/L 60°) x 1.78 mm, (ø x L) 0.83 x 14.2 mm (.07" x .56")
	CVC-5BV4001S CVC-6BV4001S CVC-7BV4001S CVC-8BV4001S CVC-9BV4001S	STTC-524 STTC-024 STTC-124 STTC-824V1 STTC-824	(Bevel/L) 30° x 1.49 mm, (ø x L) 1.23 x 9.3 mm (.059" x .367")
	CVC-5BV3018P CVC-6BV3018P CVC-7BV3018P CVC-8BV3018P CVC-9BV3018P	STTC-515 STTC-015 STTC-115 STTC-815V1 STTC-815	(Bevel/L) 30° x 1.47 mm, optimised geometry for best thermal performance, (ø x L) 1.3 x 3.9 mm (.05" x 0153")
	CVC-5BV6018S CVC-6BV6018S CVC-7BV6018S CVC-8BV6018S CVC-9BV6018S	STTC-535 STTC-035 STTC-135 STTC-835V1 STTC-835	(Bevel/L) 30° x 2.06 mm, (ø x L) 1.78 x 9.9 mm (.07" x .39")
	CVC-5BV3018S CVC-6BV3018S CVC-7BV3018S CVC-8BV3018S CVC-9BV3018S	STTC-505 STTC-005 STTC-105 STTC-805V1 STTC-805	(Bevel/L) 30° x 2.06 mm, (ø x L) 1.78 x 11.7 mm (.07" x .39")

Chisel Cartridges			
	CVC-5CH0010P CVC-6CH0010P CVC-7CH0010P CVC-8CH0010P CVC-9CH0010P	STTC-525P STTC-025P STTC-125P STTC-825PV1 STTC-825P	Optimised geometry for best thermal performance, (W x L) 1.0 x 6.0 mm (.04" x .24")
	CVC-5CH0010A CVC-6CH0010A CVC-7CH0010A CVC-8CH0010A CVC-9CH0010A	N/A	Long reach, for work in tight spaces, (W x L) 1.0 x 12.4 mm (.04" x .49")
	CVC-5CH0010S CVC-6CH0010S CVC-7CH0010S CVC-8CH0010S CVC-9CH0010S	STTC-525 STTC-025 STTC-125 STTC-825V1 STTC-825	(W x L) 1.0 x 9.1 mm (.04" x .33")
	CVC-5CH0014P CVC-6CH0014P CVC-7CH0014P CVC-8CH0014P CVC-9CH0014P	STTC-538P STTC-038P STTC-138P STTC-838PV1 STTC-838P	Optimised geometry for best thermal performance, (W x L) 1.4 x 6.0 mm (.06" x .24")
	CVC-5CH0014S CVC-6CH0014S CVC-7CH0014S CVC-8CH0014S CVC-9CH0014S	STTC-538 STTC-038 STTC-138 STTC-838V1 STTC-838	(W x L) 1.5 x 9.9 mm (.06" x .39")
	CVC-5CH0015A CVC-6CH0015A CVC-7CH0015A CVC-8CH0015A CVC-9CH0015A	N/A	Long reach, for work in tight spaces, (W x L) 1.5 x 12.4 mm (.06" x 0.49")
	CVC-5CH0015R CVC-6CH0015R CVC-7CH0015R CVC-8CH0015R CVC-9CH0015R	STTC-599 STTC-099 STTC-199 STTC-899V1 STTC-899	Bent 30°, for work under a microscope, (W x L) 1.5 x 11.9 mm (.06" x .47")
	CVC-5CH0018A CVC-6CH0018A CVC-7CH0018A CVC-8CH0018A CVC-9CH0018A	STTC-542 STTC-042 STTC-142 STTC-842V1 STTC-842	Long reach, flat, for work in tight spaces, (W x L) 1.78 x 16mm (.07" x .63")
	CVC-5CH0018L CVC-6CH0018L CVC-7CH0018L CVC-8CH0018L CVC-9CH0018L	STTC-537LL STTC-037LL STTC-137LL STTC-837LLV1 STTC-837LL	Long life plating, (W x L) 1.78 x 1.0 mm (.07" x .24")

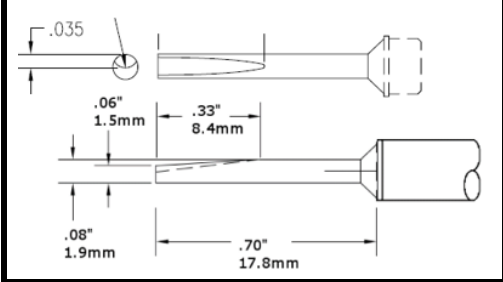
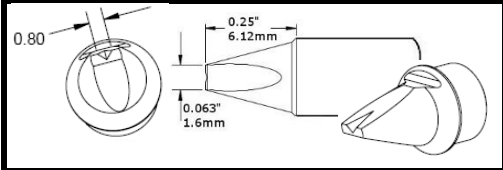
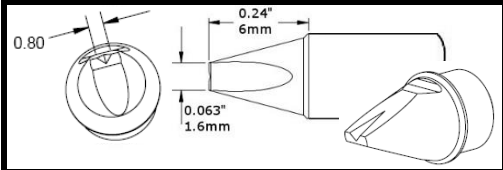
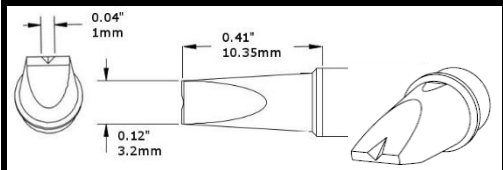
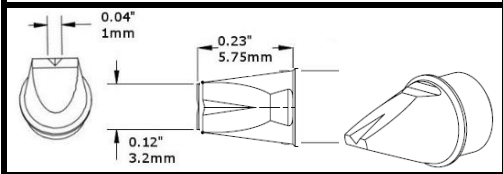
Chisel Cartridges			
	CVC-5CH0018S CVC-6CH0018S CVC-7CH0018S CVC-8CH0018S CVC-9CH0018S	STTC-537 STTC-037 STTC-137 STTC-837V1 STTC-837	(W x L) 1.78 x 9.9 mm (.07" x .39")
	CVC-5CH0018P CVC-6CH0018P CVC-7CH0018P CVC-8CH0018P CVC-9CH0018P	STTC-537P STTC-037P STTC-137P STTC-837PV1 STTC-837P	Optimised geometry for best thermal performance, (W x L) 1.8 x 6.0 mm (.07" x .24")
	CVC-5CH0018R CVC-6CH0018R CVC-7CH0018R CVC-8CH0018R CVC-9CH0018R	STTC-598 STTC-098 STTC-198 STTC-898V1 STTC-898	Bend 30°, for work under a microscope, (W x L) 1.8 x 10.0 mm (.07" x 0.4")
	CVC-5CH0020S CVC-6CH0020S CVC-7CH0020S CVC-8CH0020S CVC-9CH0020S	STTC-514 STTC-014 STTC-114 STTC-814V1 STTC-814	Optimised geometry for best thermal performance, (W x L) 2.0 x 4.7 mm (.08" x .19")
	CVC-5CH0020A CVC-6CH0020A CVC-7CH0020A CVC-8CH0020A CVC-9CH0020A	N/A	Long reach, for work in tight spaces, (W x L) 2.0 x 12.4 mm (.08" x 0.49")
	CVC-5CH0025A CVC-6CH0025A CVC-7CH0025A CVC-8CH0025A CVC-9CH0025A	N/A	Long reach, for work in tight spaces, (W x L) 2.5 x 12.4 mm (.10" x .49")
	CVC-5CH0025P CVC-6CH0025P CVC-7CH0025P CVC-8CH0025P CVC-9CH0025P	STTC-536P STTC-036P STTC-136P STTC-836PV1 STTC-836P	Optimised geometry for best thermal performance, (W x L) 2.5 x 6.0 mm (.10" x .24")
	CVC-5CH0025S CVC-6CH0025S CVC-7CH0025S CVC-8CH0025S CVC-9CH0025S	STTC-536 STTC-036 STTC-136 STTC-836V1 STTC-836	(W x L) 2.5 x 9.9 mm (.10" x .39")
	CVC-5CH0034S CVC-6CH0034S CVC-7CH0034S CVC-8CH0034S CVC-9CH0034S	STTC-503 STTC-003 STTC-103 STTC-803V1 STTC-803	(W x L) 2.8 x 8.6 mm (.11" x .34")
	CVC-5CH0030S CVC-6CH0030S CVC-7CH0030S CVC-8CH0030S CVC-9CH0030S	STTC-513 STTC-013 STTC-113 STTC-813V1 STTC-813	Optimised geometry for best thermal performance, (W x L) 3.0 x 4.8 mm (.12" x .19")

Chisel Cartridges			
	CVC-5CH0035S CVC-6CH0035S CVC-7CH0035S CVC-8CH0035S CVC-9CH0035S	N/A	(W x L) 3.5 x 8.13 mm (.14" x .32")
	CVC-5CH0035P CVC-6CH0035P CVC-7CH0035P CVC-8CH0035P CVC-9CH0035P	N/A	Optimised geometry for best thermal performance, (W x L) 3.5 x 6.13 mm (.14" x .24")
	CVC-5CH2238A CVC-6CH2238A CVC-7CH2238A CVC-8CH2238A CVC-9CH2238A	STTC-520 STTC-020 STTC-120 STTC-820V1 STTC-820	Long reach, flat, for work in tight spaces, (W x L) 3.8 x 21.6 mm (.15" x .85")
	CVC-5CH0040P CVC-6CH0040P CVC-7CH0040P CVC-8CH0040P CVC-9CH0040P	N/A	Optimised geometry for best thermal performance, (W x L) 4.2 x 6.0 mm (.165" x .24")
	CVC-5CH0040S CVC-6CH0040S CVC-7CH0040S CVC-8CH0040S CVC-9CH0040S	N/A	(W x L) 4.2 x 7.6 mm (.17" x .3")
	CVC-5CH0050A CVC-6CH0050A CVC-7CH0050A CVC-8CH0050A CVC-9CH0050A	STTC-565 STTC-065 STTC-165 STTC-865V1 STTC-865	Long reach, (W x L) 5.0 x 11.4 mm (.20" x .45")
	CVC-5CH0050S CVC-6CH0050S CVC-7CH0050S CVC-8CH0050S CVC-9CH0050S	STTC-517 STTC-017 STTC-117 STTC-817V1 STTC-817	(W x L) 5.0 x 7.6 mm (.20" x .30")
	CVC-5CH0050P CVC-6CH0050P CVC-7CH0050P CVC-8CH0050P CVC-9CH0050P	N/A	Optimised geometry for best thermal performance, (W x L) 5.23 x 6.0 mm (.21" x .24")

Conical Cartridges			
	CVC-5CN0003A CVC-6CN0003A CVC-7CN0003A CVC-8CN0003A CVC-9CN0003A	STTC-590 STTC-090 STTC-190 STTC-890V1 STTC-890	Fine, long reach, for work in tight spaces, (ϕ x L) 0.25 x 13.2 mm (.01" x .52")
	CVC-5CN0004P CVC-6CN0004P CVC-7CN0004P CVC-8CN0004P CVC-9CN0004P	STTC-545P STTC-045P STTC-145P STTC-845PV1 STTC-845P	Sharp, optimised geometry for best thermal performance, (ϕ x L) 0.4 x 8.5 mm (.016" x .34")
	CVC-5CN0004R CVC-6CN0004R CVC-7CN0004R CVC-8CN0004R CVC-9CN0004R	STTC-526 STTC-026 STTC-126 STTC-826V1 STTC-826	Sharp, Bent 30°, for work under a microscope, (ϕ x L) 0.4 x 7.9 mm (.016" x .31")
	CVC-5CN1304A CVC-6CN1304A CVC-7CN1304A CVC-8CN1304A CVC-9CN1304A	STTC-506 STTC-006 STTC-106 STTC-806V1 STTC-806	Sharp, long reach, (ϕ x L) 0.4 x 13.7 mm (.016" x .54")
	CVC-5CN1404S CVC-6CN1404S CVC-7CN1404S CVC-8CN1404S CVC-9CN1404S	STTC-522 STTC-022 STTC-122 STTC-822V1 STTC-822	Sharp, (ϕ x L) 0.4 x 8.4 mm (.016" x .33")
	CVC-5CN1504A CVC-6CN1504A CVC-7CN1504A CVC-8CN1504A CVC-9CN1504A	STTC-545 STTC-045 STTC-145 STTC-845V1 STTC-845	Sharp, long reach, (ϕ x L) 0.4 x 14.7 mm (.016" x .58")
	CVC-5CN1604R CVC-6CN1604R CVC-7CN1604R CVC-8CN1604R CVC-9CN1604R	STTC-540 STTC-040 STTC-140 STTC-840V1 STTC-840	Sharp, long reach, bent 30°, for work under a microscope, (ϕ x L) 0.4 x 16 mm (.016" x .63")
	CVC-5CN0005A CVC-6CN0005A CVC-7CN0005A CVC-8CN0005A CVC-9CN0005A	STTC-543 STTC-043 STTC-143 STTC-843V1 STTC-843	Sharp, long reach, (ϕ x L) 0.5 x 15.2 mm (.02" x .6")
	CVC-5CN0005R CVC-6CN0005R CVC-7CN0005R CVC-8CN0005R CVC-9CN0005R	STTC-544 STTC-044 STTC-144 STTC-844V1 STTC-844	Sharp, long reach, bent 30°, for work under a microscope, (ϕ x L) 0.5 x 14.5 mm (.02" x .57")
	CVC-5CN0005S CVC-6CN0005S CVC-7CN0005S CVC-8CN0005S CVC-9CN0005S	STTC-511 STTC-011 STTC-111 STTC-811V1 STTC-811	Blunt, optimised geometry for best thermal performance, (ϕ x L) 0.5 x 4.6 mm (.02" x .18")

Conical Cartridges			
	CVC-5CN4805S CVC-6CN4805S CVC-7CN4805S CVC-8CN4805S CVC-9CN4805S	STTC-516 STTC-016 STTC-116 STTC-816V1 STTC-816	Blunt, Optimised geometry for best thermal performance, (\emptyset x L) 0.5 x 4.8 mm (.02" x .19")
	CVC-5CN0010A CVC-6CN0010A CVC-7CN0010A CVC-8CN0010A CVC-9CN0010A	STTC-501 STTC-001 STTC-101 STTC-801V1 STTC-801	Long reach, (\emptyset x L) 1.0 x 13.5 mm (.04" x .53")
	CVC-5CN0010P CVC-6CN0010P CVC-7CN0010P CVC-8CN0010P CVC-9CN0010P	STTC-501P STTC-001P STTC-101P STTC-801PV1 STTC-801P	Optimised geometry for best thermal performance, (\emptyset x L) 1.0 x 6.5 mm (.04" x .25")
	CVC-5CN0010S CVC-6CN0010S CVC-7CN0010S CVC-8CN0010S CVC-9CN0010S	STTC-531 STTC-031 STTC-131 STTC-831V1 STTC-831	(\emptyset x L) 1.0 x 9.9 mm (.04" x .39")
	CVC-5CN1710A CVC-6CN1710A CVC-7CN1710A CVC-8CN1710A CVC-9CN1710A	STTC-507 STTC-007 STTC-107 STTC-807V1 STTC-807	Long reach, (\emptyset x L) 1.0 x 16.7 mm (.04" x .66")
	CVC-5CN0013R CVC-6CN0013R CVC-7CN0013R CVC-8CN0013R CVC-9CN0013R	STTC-541 STTC-041 STTC-141 STTC-841V1 STTC-841	Bent 30°, for work under a microscope, Long Reach, for work in tight spaces, (\emptyset x L) 1.3 x 21.8 mm (.05" x .86")
	CVC-5CN1002S CVC-6CN1002S CVC-7CN1002S CVC-8CN1002S CVC-9CN1002S	STTC-532 STTC-032 STTC-132 STTC-832V1 STTC-832	Blunt, (\emptyset x L) 1.52 x 9.78 mm (.10" x .385")
	CVC-5CN1208S CVC-6CN1208S CVC-7CN1208S CVC-8CN1208S CVC-9CN1208S	STTC-502 STTC-002 STTC-102 STTC-802V1 STTC-802	(\emptyset x L) 1.8 x 12 mm (.07" x .48")
	CVC-5CN4302S CVC-6CN4302S CVC-7CN4302S CVC-8CN4302S CVC-9CN4302S	STTC-512 STTC-012 STTC-112 STTC-812V1 STTC-812	Blunt, optimised geometry for best thermal performance, (\emptyset x L) 2.0 x 4.3 mm (.8" x .17")

U- / V-Groove Cartridges – For Pin Soldering

	<p>CVC-5LG1802A CVC-6LG1802A CVC-7LG1802A CVC-8LG1802A</p>	<p>STTC-583 STTC-083 STTC-183 STTC-883V1</p>	<p>U-Groove for pin soldering, groove (ϕ x L) 0.89 x 8.4 mm, (Total ϕ x L) 1.9 x 17.8 mm (.08" x .70")</p>
	<p>CVC-5VG0016A CVC-6VG0016A CVC-7VG0016A CVC-8VG0016A CVC-9VG0016A</p>	<p>N/A</p>	<p>V-Groove for pin soldering, groove (W x L) 0.8 x 3 mm, (W x L) 1.6 x 6.12 mm (.06" x .25")</p>
	<p>CVC-5VG0016P CVC-6VG0016P CVC-7VG0016P CVC-8VG0016P CVC-9VG0016P</p>	<p>N/A</p>	<p>V-Groove for pin soldering, Optimised geometry for best thermal performance, groove (W x L) 0.8 x 3,5 mm, (W x L) 1.6 x 6 mm (.06" x .24")</p>
	<p>CVC-5VG0032A CVC-6VG0032A CVC-7VG0032A CVC-8VG0032A CVC-9VG0032A</p>	<p>N/A</p>	<p>V-Groove for pin soldering, groove (W x L) 1.0 x 3 mm, (W x L) 3.2 x 10.35 mm (.12" x .41")</p>
	<p>CVC-5VG0032P CVC-6VG0032P CVC-7VG0032P CVC-8VG0032P CVC-9VG0032P</p>	<p>N/A</p>	<p>V-Groove for pin soldering, Optimised geometry for best thermal performance, groove (W x L) 1.0 x 4 mm, (W x L) 3.2 x 5.75 mm (.12" x .23")</p>

SMC Rework Cartridges are compatible with MX-500, MX-5000, MX-5200 and CV-5200, CV-500 Systems – MX-RM3E, MX-RM6E, MX-H1-AV, CV-H1-AV Solder Hand pieces.

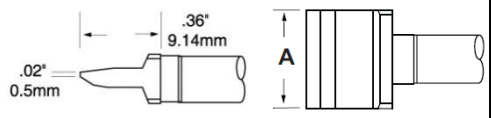
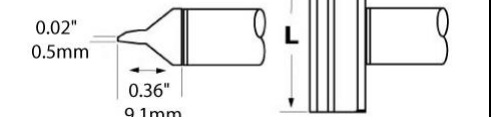
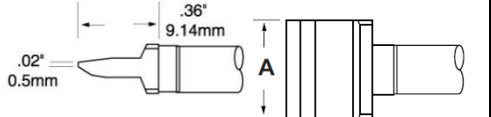
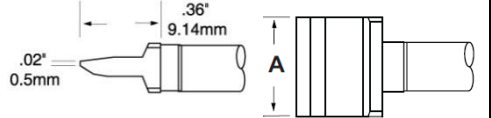
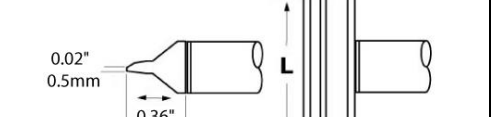
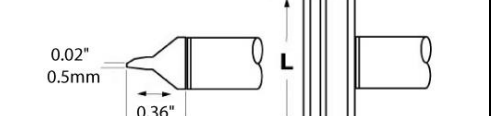
SMTC Rework Cartridges are compatible with MX-500, MX-5000 and MX-5200 Systems MX-RM3E, MX-RM6E and MX-H1-AV Solder Hand pieces.



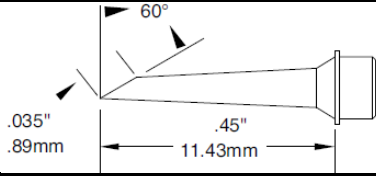
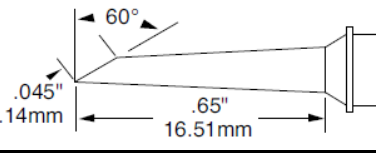
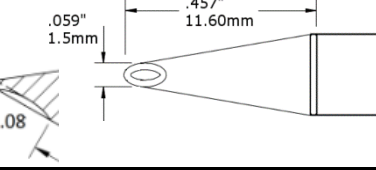
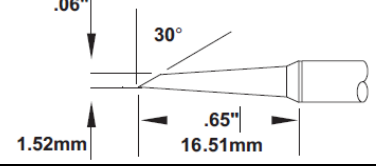
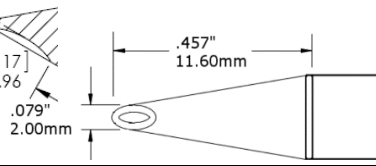
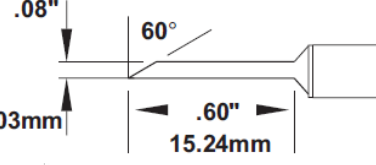
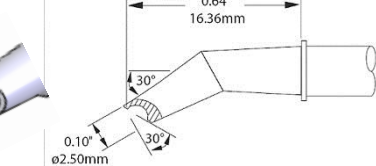
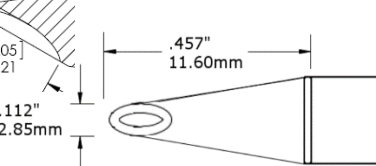
Temperature	CV-Serie	MX-Serie	Application
575 °F/302 °C	SMC-5xxx	SMTC-5xx	Temperature Sensitive
675 °F/357 °C	SMC-6xxx	SMTC-0xx	
775 °F/413 °C	SMC-7xxx	SMTC-1xx	Most Standard
875 °F/468 °C	SMC-8xxx	SMTC-8xxV1	Ceramic and High Thermal Demand
925 °F/496 °C	SMC-9xxx	SMTC-8xx	

Please note the above temperatures are the maximum temperatures of the heater. The idle temperature is dependent on the geometry of the cartridge (up to 15 °C lower.)

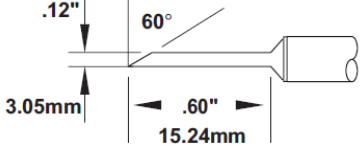
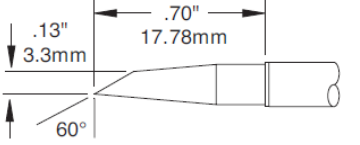
These tips will provide data via the CV series power supplies, but due to the nature of their application the Connection Validation function is not required and therefore, not enabled

Blade's for Rework Applications				
	SMC-5BL0010S SMC-6BL0010S SMC-7BL0010S SMC-8BL0010S SMC-9BL0010S	SMTC-560 SMTC-060 SMTC-160 SMTC-860V1 SMTC-860	Blade for Pad Clean-Up, A = 10 mm (.40") H = 9.14 mm (.36")	
	SMC-5BL0015H SMC-6BL0015H SMC-7BL0015H SMC-8BL0015H SMC-9BL0015H	SMTC-5BL150 SMTC-0BL150 SMTC-1BL150 SMTC-8BL150V1 SMTC-8BL150	Blade for Pad Clean-Up, L = 15 mm (.59") H = 9.1 mm (0.36")	
	SMC-5BL0016S SMC-6BL0016S SMC-7BL0016S SMC-8BL0016S SMC-9BL0016S	SMTC-561 SMTC-061 SMTC-161 SMTC-861V1 SMTC-861	Blade for Pad Clean-Up, A = 15.75 mm (.62") H = 9.14 mm (.36")	
	SMC-5BL0022S SMC-6BL0022S SMC-7BL0022S SMC-8BL0022S SMC-9BL0022S	SMTC-562 SMTC-062 SMTC-162 SMTC-862V1 SMTC-862	Blade for Pad Clean-Up, A = 22 mm (.86") H = 9.14 mm (.36")	
	SMC-5BL0025H SMC-6BL0025H SMC-7BL0025H SMC-8BL0025H SMC-9BL0025H	SMTC-5BL250 SMTC-0BL250 SMTC-1BL250 SMTC-8BL250V1 SMTC-8BL250	Blade for Pad Clean-Up, L = 25 mm (1") H = 9.1 mm (0.36")	
	SMC-5BL0035H SMC-6BL0035H SMC-7BL0035H SMC-8BL0035H SMC-9BL0035H	SMTC-5BL350 SMTC-0BL350 SMTC-1BL350 SMTC-8BL350V1 SMTC-8BL350	Blade for Pad Clean-Up, L = 35 mm (1.38") H = 9.1 mm (0.36")	

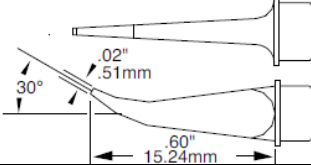
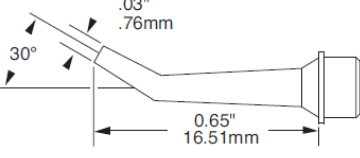
Rework Hoof-Cartridges – For Drag Soldering

	SMC-5HF6009S SMC-6HF6009S SMC-7HF6009S SMC-8HF6009S SMC-9HF6009S	SMTC-5175 SMTC-0175 SMTC-1175 SMTC-8175V1 SMTC-8175	Micro Hoof, (Bevel/L) 60° x 1.78 mm, (∅ x L) 0.89 x 11.43 mm (.035"x.45")
	SMC-5HF6011S SMC-6HF6011S SMC-7HF6011S SMC-8HF6011S SMC-9HF6011S	SMTC-5174 SMTC-0174 SMTC-1174 SMTC-8174V1 SMTC-8174	Micro Hoof, (Bevel/L) 60° x 2.28 mm, long reach, (∅ x L) 1.14 x 16.51 mm (.045"x.65")
	SMC-5HF0015V SMC-6HF0015V SMC-7HF0015V SMC-8HF0015V SMC-9HF0015V	SMTC-5184 SMTC-0184 SMTC-1184 SMTC-8184V1 SMTC-8184	Concave Hoof, (Bevel/L) 60° x 3 mm, (Bevel length/depth) 2.08 x 0.26 mm, (∅ x L) 1.5 x 11.6 mm (.059" x .457")
	SMC-5HF6015S SMC-6HF6015S SMC-7HF6015S SMC-8HF6015S SMC-9HF6015S	SMTC-5167 SMTC-0167 SMTC-1167 SMTC-8167V1 SMTC-8167	Hoof, (Bevel/L) 30° x 1.76 mm, long reach, (∅ x L) 1.52 x 16.51 mm (.06"x.65")
	SMC-5HF0020V SMC-6HF0020V SMC-7HF0020V SMC-8HF0020V SMC-9HF0020V	SMTC-5185 SMTC-0185 SMTC-1185 SMTC-8185V1 SMTC-8185	Concave Hoof, (Bevel/L) 60° x 4 mm, (Bevel length/depth) 2.96 x 0.35 mm, (∅ x L) 2,0 x 11.6 mm (.079" x .457")
	SMC-5HF6020S SMC-6HF6020S SMC-7HF6020S SMC-8HF6020S SMC-9HF6020S	SMTC-5169 SMTC-0169 SMTC-1169 SMTC-8169V1 SMTC-8169	Hoof, (Bevel/L) 60° x 4.06 mm, long reach, (∅ x L) 2.03 x 15.24 mm (.08" x .60")
	SMC-5HF3025S SMC-6HF3025S SMC-7HF3025S SMC-8HF3025S SMC-9HF3025S	SMTC-5183 SMTC-0183 SMTC-1183 SMTC-8183V1 SMTC-8183	Concave Hoof, (Bevel/L) 30° x 2.9 mm, Bent 30°, (Bevel length/depth) 2.2 x 0.5 mm, (∅ x L) 2.5 x 16.0 mm (.098" x .629")
	SMC-5HF0030V SMC-6HF0030V SMC-7HF0030V SMC-8HF0030V SMC-9HF0030V	SMTC-5186 SMTC-0186 SMTC-1186 SMTC-8186V1 SMTC-8186	Concave Hoof, (Bevel/L) 60° x 6 mm (Bevel length/depth) 5.21 x 0.84 mm, (∅ x L) 2.85 x 11.6 mm (.457" x .112)

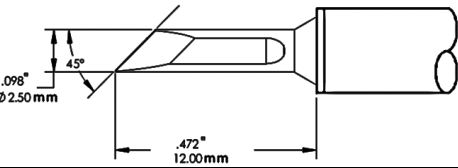
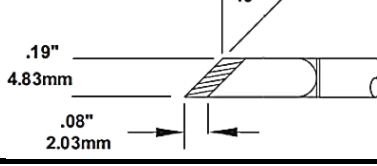
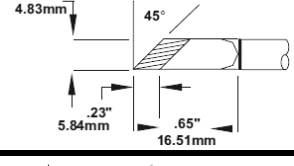
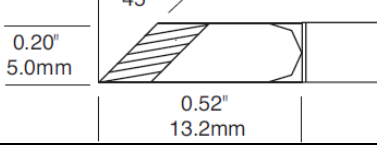
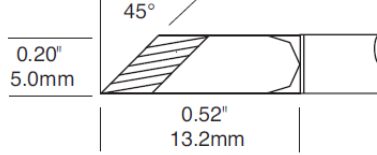
Rework Hoof-Cartridges – For Drag Soldering SOIC/QFP's

	SMC-5HF6030S SMC-6HF6030S SMC-7HF6030S SMC-8HF6030S SMC-9HF6030S	SMTC-5170 SMTC-0170 SMTC-1170 SMTC-8170V1 SMTC-8170	Hoof, (Bevel/L) 60° x 6.1 mm, long reach, (∅ x L) 3.05 x 15.24mm (.12" x .60")
	SMC-5HF6033S SMC-6HF6033S SMC-7HF6033S SMC-8HF6033S SMC-9HF6033S	SMTC-5147 SMTC-0147 SMTC-1147 SMTC-8147V1 SMTC-8147	Hoof, (Bevel/L) 60° x 6.6 mm, long reach, (∅ x L) 3.3 x 17.78 mm (.13" x .70")

Special Rework Cartridges

	SMC-5HK0005S SMC-6HK0005S SMC-7HK0005S SMC-8HK0005S SMC-9HK0005S	SMTC-5172 SMTC-0172 SMTC-1172 SMTC-8172V1 SMTC-8172	Hook – for fine drag- and point-to-point soldering on contacts from J-lead components, bend 30°, (∅ x L) 0.51 x 15.24 mm (.02" x .06")
	SMC-5HK0008S SMC-6HK0008S SMC-7HK0008S SMC-8HK0008S SMC-9HK0008S	SMTC-5171 SMTC-0171 SMTC-1171 SMTC-8171V1 SMTC-8171	Used to remove small components like 0201 and 0402 from a "topside" angle, bent 30° for work under a microscope, (∅ x L) 0.76 x 16.51 mm (.03" x .65")

Rework Knife-Cartridges – For Multi-Lead Soldering of PLCC's/SOJ's

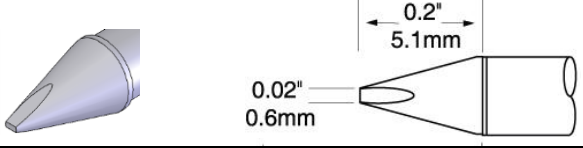
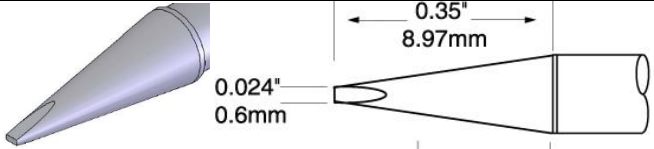
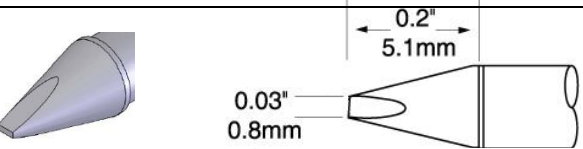
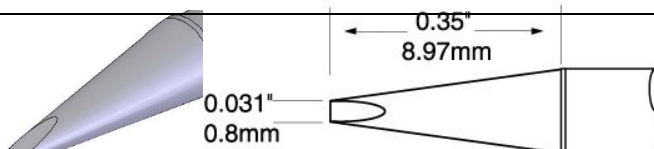
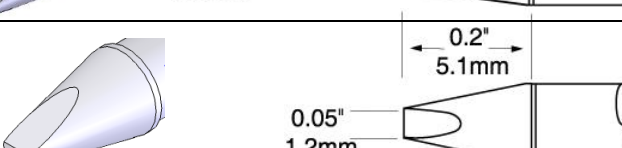
	SMC-5KN0025S SMC-6KN0025S SMC-7KN0025S SMC-8KN0025S SMC-9KN0025S	SMTC-5165 SMTC-0165 SMTC-1165 SMTC-8165V1 SMTC-8165	Knife, 45° angled, tinned area length 2.03 mm, (W x L) 2.5 x 12.0 mm (.098" x .472")
	SMC-5KN0048S SMC-6KN0048S SMC-7KN0048S SMC-8KN0048S SMC-9KN0048S	SMTC-5161 SMTC-0161 SMTC-1161 SMTC-8161V1 SMTC-8161	Knife, 45° angled, tinned area length 2.03 mm (.08"), (W x L) 4.83 x 16.51 mm (.18" x .65")
	SMC-5KN0048W SMC-6KN0048W SMC-7KN0048W SMC-8KN0048W SMC-9KN0048W	SMTC-5173 SMTC-0173 SMTC-1173 SMTC-8173V1 SMTC-8173	Knife, 45° angled, tinned area length 5.84 mm (.23"), (W x L) 4.83 x 16.51 mm (.18" x .65")
	SMC-5KN0050P SMC-6KN0050P SMC-7KN0050P SMC-8KN0050P SMC-9KN0050P	STTC-5173P STTC-0173P STTC-1173P STTC-8173PV1 STTC-8173P	Knife, 45° angled, optimised geometry for best thermal performance, tinned area length 5.6 mm, (W x L) 5.0 x 13.2 mm (.20" x .52")
	SMC-5KN0050X SMC-6KN0050X SMC-7KN0050X SMC-8KN0050X SMC-9KN0050X	STTC-5173PLL STTC-0173PLL STTC-1173PLL STTC-8173PLLV1 STTC-8173PLL	Knife, 45° angled, Long Life, optimised geometry for best thermal performance, tinned area length 5.6 mm, (W x L) 5.0 x 13.2 mm (.20" x .52")

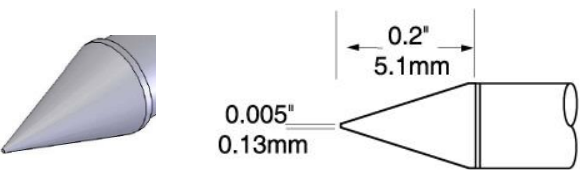
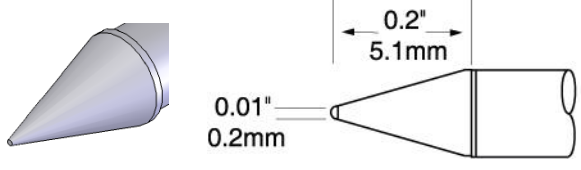
UFC Ultra-Fine Cartridges for work in tight spaces are compatible with CV-5200, CV-500 Systems and Ultra-Fine Solder Hand piece CV-H2-UF.


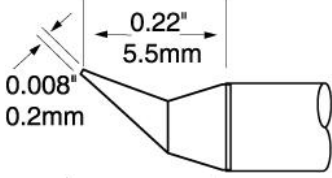
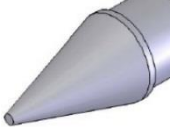
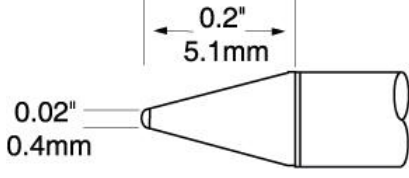

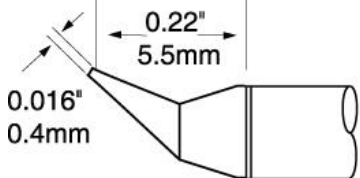

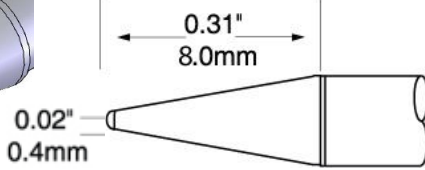


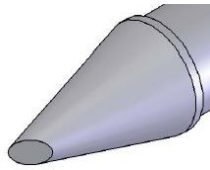
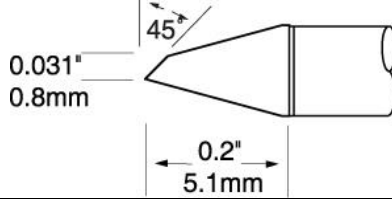
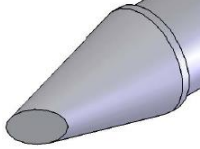
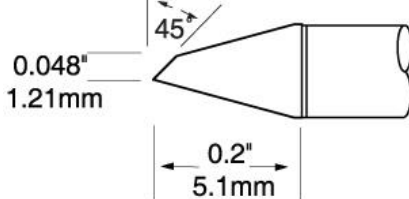
Temperature	CV-Serie	Application
675 °F/357 °C	UFC-6	Temperature Sensitive
775 °F/413 °C	UFC-7	Most Standard

Please note the above temperatures are the maximum temperatures of the heater. The idle temperature is dependent on the geometry of the cartridge (up to 15°C lower.)

Ultra-Fine Chisel Cartridge		
	UFC-6CH5106S UFC-7CH5106S	(W x L) 0.6 x 5.1 mm
	UFC-6CH9006S UFC-7CH9006S	Long reach, (W x L) 0.6 x 9 mm
	UFC-6CH5108S UFC-7CH5108S	(W x L) 0.8 x 5.1 mm
	UFC-6CH9008S UFC-7CH9008S	Long reach, (W x L) 0.8 x 9 mm
	UFC-6CH5112S UFC-7CH5112S	(W x L) 1.2 x 5.1 mm

Ultra-Fine Conical Cartridge		
	UFC-6CN5101S UFC-7CN5101S	(ϕ x L) 0.13 x 5.1 mm
	UFC-6CN5102S UFC-7CN5102S	(ϕ x L) 0.2 x 5.1 mm

Ultra-Fine Conical Cartridge			
		UFC-6CN5502R UFC-7CN5502R	Bent 30°, for work under a microscope, (ϕ x L) 0.2 x 5.6 mm
		UFC-6CN5504S UFC-7CN5504S	For work in tight spaces, (ϕ x L) 0.4 x 5.1 mm
		UFC-6CN5504R UFC-7CN5504R	Bent 30°, for work under a microscope, (ϕ x L) 0.4 x 5.6 mm
		UFC-6CN8004S UFC-7CN8004S	Long reach, (ϕ x L) 0.4 x 8.0 mm

Ultra-Fine Rework Hoof-Cartridges – For Drag Soldering SOIC/QFP's			
		UFC-6HF5108S UFC-7HF5108S	Micro Hoof, (Bevel/L) 45° x 1.13 mm, (ϕ x L) 0.8 x 5.1 mm
		UFC-6HF5112S UFC-7HF5112S	Micro Hoof, (Bevel/L) 45° x 1.71 mm, (ϕ x L) 1.21 x 5.1 mm

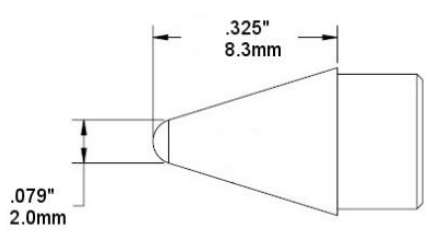
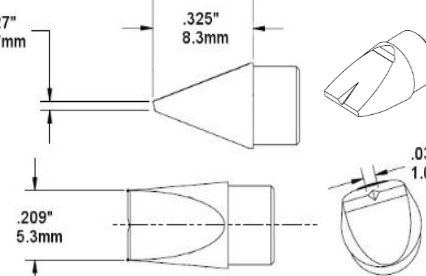
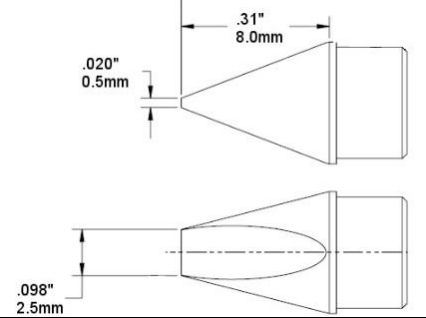
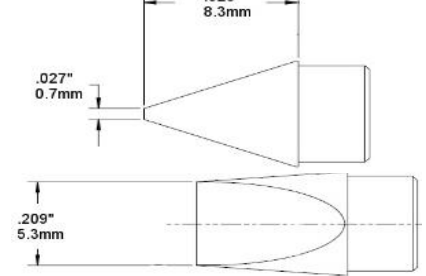
HCV Cartridges for High Thermal Demand applications with increased heating elements are compatible with MX-500, MX-5000, MX-5200, CV-5200, CV-500 Systems and MX-H6-HTD, CV-H6-HTD, CV-H7-HTD Solder Hand pieces.

HTC Cartridges for High Thermal Demand applications are compatible with MX-500, MX-5000 and MX-5200 Systems – MX-H6-HTD Solder Hand pieces.



Temperature	CV-Serie	MX-Serie	Application
775 °F/413 °C	HCV-7	HTC-7	Most Standard
875 °F/468 °C	HCV-8	HTC-8	Ceramic and High Thermal Demand
925 °F/496 °C	HCV-9	HTC-9	

Please note the above temperatures are the maximum temperatures of the heater. The idle temperature is dependent on the geometry of the cartridge (up to 15 °C lower.)

For high mass application			
	<p>HCV-7CN0020S</p> <p>HCV-8CN0020S</p> <p>HCV-9CN0020S</p>	<p>HTC-7CN0020S</p> <p>HTC-8CN0020S</p> <p>HTC-9CN0020S</p>	<p>Conical, (ϕ x L) 2 x 8.3 mm (.079" x .325")</p>
	<p>HCV-7VG0053S</p> <p>HCV-8VG0053S</p> <p>HCV-9VG0053S</p>	<p>HTC-7VC0053S</p> <p>HTC-8VC0053S</p> <p>HTC-9VC0053S</p>	<p>V-Groove Chisel for pin soldering, Grove (W x L) 1.0 x 4 mm, (W x L) 5.3 x 8.3 mm (.209" x .325")</p>
	<p>HCV-7CH0025S</p> <p>HCV-8CH0025S</p> <p>HCV-9CH0025S</p>	<p>HTC-7CH0025S</p> <p>HTC-8CH0025S</p> <p>HTC-9CH0025S</p>	<p>Chisel, (W x L) 2.5 x 8 mm (.098" x .31")</p>
	<p>HCV-7CH0053S</p> <p>HCV-8CH0053S</p> <p>HCV-9CH0053S</p>	<p>HTC-7CH0053S</p> <p>HTC-8CH0053S</p> <p>HTC-9CH0053S</p>	<p>Chisel, (W x L) 5.3 x 8.3 mm (.209" x .325")</p>

PTC Tweezer Cartridges are compatible with MX-500, MX-5000, MX-5200 and CV-5200, CV-500 Systems – MX-PTZ and CV-H4-PTZ Tweezer Hand pieces.

PTTC Tweezer-Cartridges are compatible with MX-500, MX-5000, MX-5200 and CV-5200, CV-500 Systems – MX-PTZ and CV-H4-PTZ Tweezer Hand pieces.

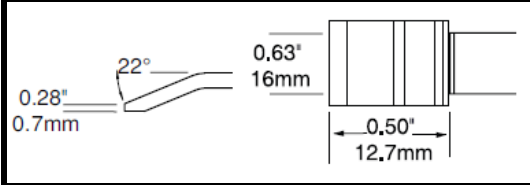
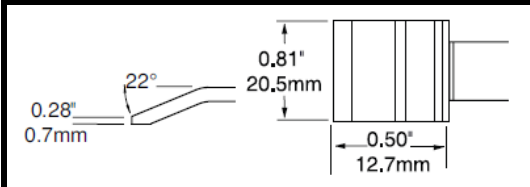
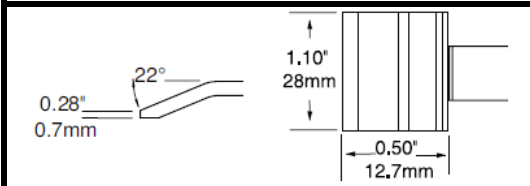


Temperature	CV-Serie	MX-Serie	Application
675 °F/357 °C	PTC-6	PTTC-6	Temperature Sensitive
775 °F/413 °C	PTC-7	PTTC-7	Most Standard
875 °F/468 °C	PTC-8		Ceramic and High Thermal Demand
925 °F/496 °C	PTC-9	PTTC-8	

Please note the above temperatures are the maximum temperatures of the heater. The idle temperature is dependent on the geometry of the cartridge (up to 15 °C lower).

These tips will provide data via the CV power supplies, but due to the nature of their application the Connection Validation function is not required and therefore not enabled. All tweezer cartridges are sold per pair.

Rework Tweezer Cartridges - Bent				
	PTC-6CN1404A PTC-7CN1404A PTC-8CN1404A PTC-9CN1404A	PTTC-601B PTTC-701B --- PTTC-801B	Conical, 30° bent, for work under a microscope, (∅ x L) 0.4 x 14.3 mm (0.016" x 0.56"), Sold per pair	
	PTC-6FB1235R PTC-7FB1235R PTC-8FB1235R PTC-9FB1235R	PTTC-608B PTTC-708B --- PTTC-808B	Blade, 30° bent, for work under a microscope, (W x L) 3.2 x 12.1 mm (0.14" x 0.48"),	
Rework Tweezer Cartridges - Conical				
	PTC-6CN2304A PTC-7CN2304A PTC-8CN2304A PTC-9CN2304A	PTTC-601 PTTC-701 --- PTTC-801	Conical, (∅ x L) 0.4 x 19 mm (0.016"x0.7") Sold per pair	
Rework Tweezer Cartridges - Blade				
	PTC-6CH1713A PTC-7CH1713A PTC-8CH1713A PTC-9CH1713A	PTTC-602 PTTC-702 --- PTTC-802	Blade, (W x L) 1.3 x 16.55 mm (0.05" x 0.65"), Sold per pair	
	PTC-6CH1720A PTC-7CH1720A PTC-8CH1720A PTC-9CH1720A	PTTC-603 PTTC-703 --- PTTC-803	Blade, (W x L) 2.0 x 16.5 mm (0.08" x 0.65"), Sold per pair	
	PTC-6BL1306R PTC-7BL1306R PTC-8BL1306R PTC-9BL1306R	PTTC-604 PTTC-704 --- PTTC-804	Blade, (W x L) 6.35 x 12.7 mm (0.25" x 0.5"), Sold per pair	

Rework Tweezer Cartridges - Blade		
	PTC-6BL1316R PTC-7BL1316R PTC-8BL1316R PTC-9BL1316R	PTTC-605 PTTC-705 --- PTTC-805
	PTC-6BL1321R PTC-7BL1321R PTC-8BL1321R PTC-9BL1321R	PTTC-606 PTTC-706 --- PTTC-806
	PTC-6BL1328R PTC-7BL1328R PTC-8BL1328R PTC-9BL1328R	PTTC-607 PTTC-707 --- PTTC-807



UFT Ultra-Fine Tweezer Cartridges are compatible with CV-5200, CV-500 Systems and CV-H4-UFT Ultra-Fine Tweezer Hand piece.

Temperature	CV-Serie	Application
675 °F/357 °C	UFT-6	Temperature Sensitive
775 °F/412 °C	UFT-7	Most Standard

Please note the above temperatures are the maximum temperatures of the heater. The idle temperature is dependent on the geometry of the cartridge (up to 15 °C lower).

These tips will provide data via the CV power supplies, but due to the nature of their application the Connection Validation function is not required and therefore not enabled. - All tweezer cartridges are sold per pair!

Ultra-Fine Tweezer Cartridge - Chisel

	<p>UFT-6CH9006S</p> <p>UFT-7CH9006S</p>	<p>(W x L) 0.6 x 9 mm (.024" x .035"), Sold per pair</p>
	<p>UFT-6CH9008S</p> <p>UFT-7CH9008S</p>	<p>(W x L) 0.8 x 9 mm (.031" x .035"), Sold per pair</p>

Ultra-Fine Tweezer Cartridge - Conical

	<p>UFT-6CN5502R</p> <p>UFT-7CN5502R</p>	<p>Conical, Bent, for work under a microscope, (\varnothing x L) 0.2 x 5.6 mm (0.008" x 0.220") Sold per pair</p>
	<p>UFT-6CN5504R</p> <p>UFT-7CN5504R</p>	<p>Conical, Bent, for work under a microscope, (\varnothing x L) 0.4 x 5.6 mm (0.16" x 0.220"), Sold per pair</p>
	<p>UFT-6CN8004S</p> <p>UFT-7CN8004S</p>	<p>Conical, (\varnothing x L) 0.4 x 8.7mm (0.16" x 0.343"), Sold per pair</p>

Ultra-Fine Tweezer Cartridge - Power Wedge

	<p>UFT-6PW3150S</p> <p>UFT-7PW3150S</p>	<p>Power Wedge, two-way use, tip and long side, (\varnothing x L) 0.31 x 5.0 mm (0.012" X 0.196"), Sold per pair</p>
	<p>UFT-6PW2954C</p> <p>UFT-7PW2954C</p>	<p>Power Wedge, two-way use, tip and long side, (\varnothing x L) 0.29 x 5.4 mm (0.011" X 0.213"), Sold per pair</p>

DSC De-Solder Cartridges are compatible with MX-500, MX-5000, MX-5200 AND CV-5200, CV-500 Systems – MX-DS1 and CV-H5-DS Hand pieces.


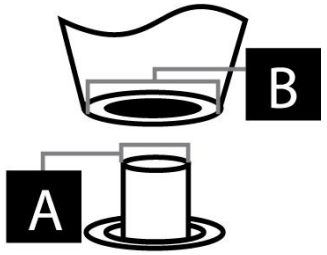


STDC De-Solder Cartridges are compatible with MX-500, MX-5000 and MX-5200 Systems – MX-DS1 Hand piece.

Temperature	CV-Serie	MX-Serie	Application
675 °F/357 °C	DSC-6	STDC-0	Temperature Sensitive
775 °F/413 °C	DSC-7	STDC-1 / 7xxL	Most Standard
875 °F/468 °C	DSC-8		Ceramic and High Thermal Demand
925 °F/496 °C	DSC-9	STDC-8	

Please note the above temperatures are the maximum temperatures of the heater. The idle temperature is dependent on the geometry of the cartridge (up to 15 °C lower.)

These tips will provide data via the CV series power supplies, but due to the nature of their application the Connection Validation function is not required and therefore, not enabled

Desolder Cartridges		A	B	C		
 <p>Standard</p> 	DSC-6CN0006S	STDC-002	0.64 mm (0.025")	1.40 mm (0.055")	11.43 mm (0.45")	
	DSC-7CN0006S	STDC-102				
	DSC-8CN0006S	STDC-802				
	DSC-9CN0006S	STDC-802				
	DSC-6CN0008S	STDC-003	0.76 mm (0.029")	1.68 mm (0.066")	11.17 mm (0.44")	
	DSC-7CN0008S	STDC-103				
	DSC-8CN0008S	STDC-803				
	DSC-9CN0008S	STDC-803				
	DSC-6CN0010S	STDC-004	1.02 mm (0.04")	1.78 mm (0.07")	10.92 mm (0.43")	
	DSC-7CN0010S	STDC-104				
	DSC-8CN0010S	STDC-804				
	DSC-9CN0010S	STDC-804				
DSC-6CN0013S	STDC-005	1.27 mm (0.05")	2.03 mm (0.08")	10.66 mm (0.42")		
DSC-7CN0013S	STDC-105					
DSC-8CN0013S	STDC-805					
DSC-9CN0013S	STDC-805					
DSC-6CN0015S	STDC-006	1.52 mm (0.06")	2.29 mm (0.09")	10.41 mm (0.41")		
DSC-7CN0015S	STDC-106					
DSC-8CN0015S	STDC-806					
DSC-9CN0015S	STDC-806					
DSC-6CN0024S	STDC-007	2.41 mm (0.09")	3.18 mm (0.12")	9.14 mm (0.36")		
DSC-7CN0024S	STDC-107					
DSC-8CN0024S	STDC-807					
DSC-9CN0024S	STDC-807					
DSC-6CN0008A	STDC-703L	0.76 mm (0.03")	1.68 mm (0.06")	21.33 mm (0.84")		
DSC-7CN0008A	STDC-703L					
DSC-8CN0008A	STDC-803L					
DSC-9CN0008A	STDC-803L					
DSC-6CN0010A	STDC-704L	1.02 mm (0.04")	1.79 mm (0.07")	21.08 mm (0.83")		
DSC-7CN0010A	STDC-704L					
DSC-8CN0010A	STDC-804L					
DSC-9CN0010A	STDC-804L					
DSC-6CN0013A	STDC-705L	1.27 mm (0.05")	2.03 mm (0.08")	20.82 mm (0.82")		
DSC-7CN0013A	STDC-705L					
DSC-8CN0013A	STDC-805L					
DSC-9CN0013A	STDC-805L					

STANDARD

LONG REACH

DSC-xxxA /STDC-xxxL = Long Reach Desolder Cartridge to remove components form high density packed PCB's.



Tip & Cartridge Selection Guide

GT90 and GT120 Soldering Systems



Tip & Hand-Piece Configurations

GT-HP-T6C
Standard Hand-Piece

GT-HC-T6
T6 Heater Cartridge**

GT6-xxxxx
T6 Family of Tips

GT-RT-T6
T6 Retainer*



Standard T6 Tip HP

GT-HP-T6C
Standard Hand-Piece

GT-RT-C
Cartridge Retainer*

GTC-xxxxx
Standard Cartridge



Standard Tip Cartridge HP

GT-HP-T4
Slim Hand-Piece

GT-HC-T4
T4 Heater Cartridge**

GT4-xxxxx
T4 Family of Tips

GT-RT-T4
T4 Retainer*



Slim T4 Replaceable HP

GT-HP-T4
Slim Hand-Piece

GT-RT-C
Cartridge Retainer*

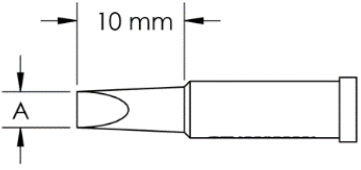
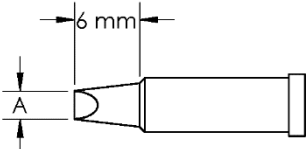
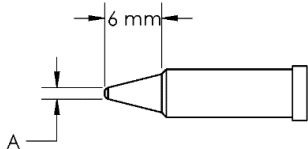
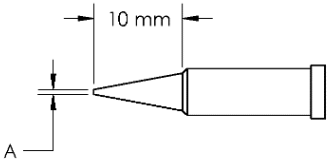
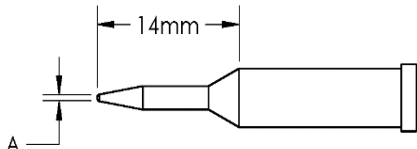
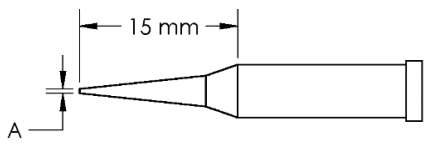
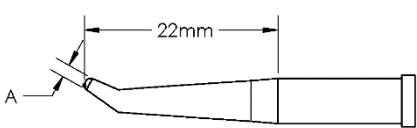
GTU-xxxxx
Ultrafine Cartridge

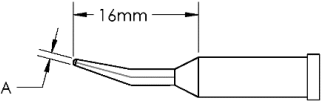
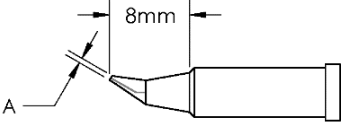
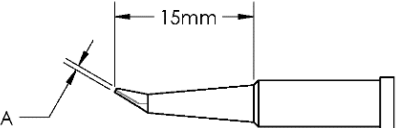
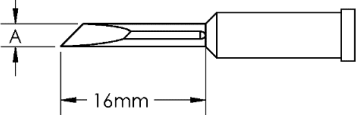
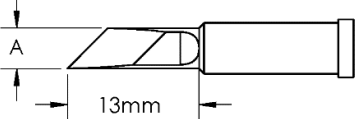
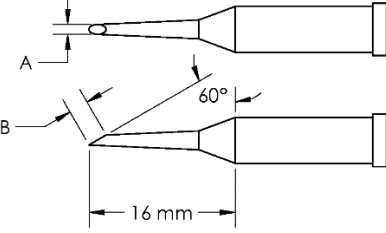
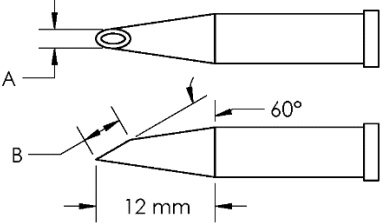


Slim Ultrafine Cartridge HP

* Included with every Hand-Piece

** Included with Systems

	Part Number	Dimension A x Length
GT4 Family of Tips - Chisel		
	GT4-CH0010S GT4-CH0014S GT4-CH0018S GT4-CH0025S GT4-CH0032S GT4-CH0040S	1.0 x 10 mm 1.4 x 10 mm 1.8 x 10 mm 2.5 x 10 mm 3.2 x 10 mm 4.0 x 10 mm
	GT4-CH0010P GT4-CH0014P GT4-CH0018P GT4-CH0025P GT4-CH0032P GT4-CH0040P	Power, 1.0 x 6.0 mm Power, 1.4 x 6.0 mm Power, 1.8 x 6.0 mm Power, 2.5 x 6.0 mm Power, 3.2 x 6.0 mm Power, 4.0 x 6.0 mm
GT4 Family of Tips - Conical		
	GT4-CN0005P GT4-CN0010P	Power, (∅ X L) 0.5 x 6.0 mm Power, (∅ X L) 1.0 x 6.0 mm
	GT4-CN0005S	(∅ X L) 0.5 x 10.0 mm
	GT4-CN0005A GT4-CN0010A	Access, (∅ X L) 0.5 x 14.0 mm Access, (∅ X L) 1.0 x 14.0 mm
	GT4-CN1502A GT4-CN1505A	Sharp, (∅ X L) 0.2 x 15.0 mm Sharp, (∅ X L) 0.5 x 15.0 mm
	GT4-CN2213R	Bent, Reach, (∅ X L) 1.3 x 22.0 mm

	Part Number	Dimension A x Length
GT4 Family of Tips - Conical		
	GT4-CN1608R	Bent, Access, (\varnothing X L) 0.8 x 16.0 mm
	GT4-CN0002R GT4-CN0004R	Bent, (\varnothing X L) 0.2 x 8.0 mm Bent, (\varnothing X L) 0.4 x 8.0 mm
	GT4-CN1505R	Conical, Bent, Reach, (\varnothing X L) 0.5 x 15.0 mm
GT4 Family of Tips - Knife		
	GT4-KN0025S GT4-KN0040S	2.5 x 16.0 mm, 45° 4.0 x 16.0 mm, 45°
	GT4-KN0025P GT4-KN0040P	Power, 2.5 x 13.0 mm, 45° Power, 4.0 x 13.0 mm, 45°
GT4 Family of Tips - Hoof		
	GT4-HF6010S GT4-HF6015S GT4-HF6020S GT4-HF6030S	(Bevel/L) 60° x 2.0, (\varnothing X L) 1.0 x 16.0 mm (Bevel/L) 60° x 3.0, (\varnothing X L) 1.5 x 16.0 mm (Bevel/L) 60° x 4.0, (\varnothing X L) 2.0 x 16.6 mm (Bevel/L) 60° x 6.0, (\varnothing X L) 3.0 x 16.0 mm
	GT4-HF6010V GT4-HF6015V GT4-HF6020V GT4-HF6030V	Concave, (Bevel/L) 60° x 2.1mm, (\varnothing X L) 1.0 x 12.0 mm Concave, (Bevel/L) 60° x 3.1mm, (\varnothing X L) 1.5 x 12.0 mm Concave, (Bevel/L) 60° x 4.1 mm, (\varnothing X L) 2.0 x 12.0 mm Concave, (Bevel/L) 60° x 6.1 mm, (\varnothing X L) 3.0 x 12.0 mm

Tips & Cartridges Guide

GT Series Soldering Systems



	Part Number	Dimension A x Length
	GT4-HF3025V	Concave, Bent 30°, (Bevel/L) 30° x 3.0 mm, (\varnothing X L) 2.5 x 16.0 mm
T6 Family of Tips - Chisel		
	GT6-CH0010S GT6-CH0014S GT6-CH0018S GT6-CH0025S GT6-CH0032S GT6-CH0040S GT6-CH0050S GT6-CH0060S	1.0 x 10.0 mm 1.4 x 10.0 mm 1.8 x 10.0 mm 2.5 x 10.0 mm 3.2 x 10.0 mm 4.0 x 10.0 mm 5.0 x 10.0 mm 6.0 x 10.0 mm
	GT6-CH0010P GT6-CH0014P GT6-CH0018P GT6-CH0025P GT6-CH0032P GT6-CH0040P GT6-CH0050P GT6-CH0060P	Power, 1.0 x 6.0 mm Power, 1.4 x 6.0 mm Power, 1.8 x 6.0 mm Power, 2.5 x 6.0 mm Power, 3.2 x 6.0 mm Power, 4.0 x 6.0 mm Power, 5.0 x 6.0 mm Power, 6.0 x 6.0 mm
T6 Family of Tips - Conical		
	GT6-CN0005P GT6-CN0010P	Power, (\varnothing X L) 0.5 x 6.0 mm Power, (\varnothing X L) 1.0 x 6.0 mm
	GT6-CN0005S	(\varnothing x L) 0.5 x 10.0 mm
	GT6-CN0005A GT6-CN0010A	Conical, Access, (\varnothing X L) 0.5 x 14.0 mm Conical, Access, (\varnothing X L) 1.0 x 14.0 mm

Tips & Cartridges Guide

GT Series Soldering Systems



	Part Number	Dimension A x Length
	GT6-CN1502A GT6-CN1505A	Conical, Sharp, (\varnothing X L) 0.2 x 15.0 mm Conical, Sharp, (\varnothing X L) 0.5 x 15.0 mm
	GT6-CN2213R	Conical, Bent, Reach, (\varnothing X L) 1.3 x 22.0 mm
	GT6-CN1608R	Bent, Access, (\varnothing X L) 0.8 x 16.0 mm
	GT6-CN0002R GT6-CN0004R	Conical, Bent, (\varnothing X L) 0.2 x 8.0 mm Conical, Bent, (\varnothing X L) 0.4 x 8.0 mm
	GT6-CN1505R	Conical, Bent, Reach, (\varnothing X L) 0.5 x 15.0 mm
T6 Family of Tips - Knife		
	GT6-KN0025S GT6-KN0050S	2.5 x 16.0 mm, 45° 5.0 x 16.0 mm, 45°
	GT6-KN0025P GT6-KN0050P	Power, 2.5 x 13.0 mm, 45° Power, 5.0 x 13.0 mm, 45°
T6 Family of Tips - Hoof		
	GT6-HF6010S GT6-HF6015S GT6-HF6020S GT6-HF6030S GT6-HF6040S	(Bevel/L) 60° x 2.0, (\varnothing X L) 1.0 x 16.0 mm (Bevel/L) 60° x 3.0, (\varnothing X L) 1.5 x 16.0 mm (Bevel/L) 60° x 4.0, (\varnothing X L) 2.0 x 16.0 mm (Bevel/L) 60° x 6.0, (\varnothing X L) 3.0 x 16.0 mm (Bevel/L) 60° x 8.0, (\varnothing X L) 4.0 x 16.0 mm

Tips & Cartridges Guide

GT Series Soldering Systems



	Part Number	Dimension A x Length
	GT6-HF6010V	Concave, (Bevel/L) 60° x 2.1 mm, (∅ X L) 1.0 x 12.0 mm
	GT6-HF6015V	Concave, (Bevel/L) 60° x 3.1 mm, (∅ X L) 1.5 x 12.0 mm
	GT6-HF6020V	Concave, (Bevel/L) 60° x 4.1 mm, (∅ X L) 2.0 x 12.0 mm
	GT6-HF6030V	Concave, (Bevel/L) 60° x 6.1 mm, (∅ X L) 3.0 x 12.0 mm
	GT6-HF3025V	Bent 30°, (Bevel/L) 30° x 3.0 mm, (∅ X L) 2.5 x 16.0 mm
GT Family of Cartridges - Chisel		
	GTC-CH0010S	1.0 x 10 mm
	GTC-CH0014S	1.4 x 10 mm
	GTC-CH0018S	1.8 x 10 mm
	GTC-CH0025S	2.5 x 10 mm
	GTC-CH0032S	3.2 x 10 mm
	GTC-CH0040S	4.0 x 10 mm
	GTC-CH0050S	5.0 x 10 mm
	GTC-CH0060S	6.0 x 10 mm
GTC-CH0070S	7.0 x 10 mm	
	GTC-CH0010P	Power, 1.0 x 6 mm
	GTC-CH0014P	Power, 1.4 x 6 mm
	GTC-CH0018P	Power, 1.8 x 6 mm
	GTC-CH0025P	Power, 2.5 x 6 mm
	GTC-CH0032P	Power, 3.2 x 6 mm
	GTC-CH0040P	Power, 4.0 x 6 mm
	GTC-CH0050P	Power, 5.0 x 6 mm
	GTC-CH0060P	Power, 6.0 x 6 mm
GTC-CH0070P	Power, 7.0 x 6 mm	
GT Family of Cartridges - Conical		
	GTC-CN0005P	Power, (∅ X L) 0.5 x 6.0 mm
	GTC-CN0010P	Power, (∅ X L) 1.0 x 6.0 mm

Tips & Cartridges Guide

GT Series Soldering Systems



	Part Number	Dimension A x Length
	GTC-CN0005S	(\varnothing x L) 0.5 x 10.0 mm
	GTC-CN0005A GTC-CN0010A	Access, (\varnothing x L) 0.5 x 14.0 mm Access, (\varnothing x L) 1.0 x 14.0 mm
	GTC-CN1502A GTC-CN1505A	Sharp, (\varnothing x L) 0.2 x 15.0 mm Sharp, (\varnothing x L) 0.5 x 15.0 mm
	GTC-CN2213R	Bent, Reach, (\varnothing x L) 1.3 x 22.0 mm
	GTC-CN1608R	Bent, Access, (\varnothing x L) 0.8 x 16.0 mm
	GTC-CN0002R GTC-CN0004R	Bent, (\varnothing x L) 0.2 x 8.0 mm Bent, (\varnothing x L) 0.4 x 8.0 mm
	GTC-CN1505R	Bent, Reach, (\varnothing x L) 0.5 x 15.0 mm

GT Family of Cartridges - Knife

	GTC-KN0025S GTC-KN0050S	2.5 x 16.0 mm, 45° 5.0 x 16.0 mm, 45°
	GTC-KN0025P GTC-KN0050P GTC-KN0080P	Power, 2.5 x 13.0 mm, 45° Power, 5.0 x 13.0 mm, 45° Power, 8.0 x 13.0 mm, 45°

Tips & Cartridges Guide

GT Series Soldering Systems



	Part Number	Dimension A x Length
GT Family of Cartridges - Hoof		
	GTC-HF6010S GTC-HF6015S GTC-HF6020S GTC-HF6030S GTC-HF6040S	(Bevel/L) 60° x 2.0 mm, (∅ X L) 1.0 x 16.0 mm (Bevel/L) 60° x 3.0 mm, (∅ X L) 1.5 x 16.0 mm (Bevel/L) 60° x 4.0 mm, (∅ X L) 2.0 x 16.0 mm (Bevel/L) 60° x 6.0 mm, (∅ X L) 3.0 x 16.0 mm (Bevel/L) 60° x 8.0 mm, (∅ X L) 4.0 x 16.0 mm
	GTC-HF6010V GTC-HF6015V GTC-HF6020V GTC-HF6030V	Concave, (Bevel/L) 60° x 2.1 mm, (∅ X L) 1.0 x 12.0 mm Concave, (Bevel/L) 60° x 4.1 mm, (∅ X L) 1.5 x 12.0 mm Concave, (Bevel/L) 60° x 5.1 mm, (∅ X L) 2.0 x 12.0 mm Concave, (Bevel/L) 60° x 6.1 mm, (∅ X L) 3.0 x 12.0 mm
	GTC-HF3025V	Concave, Bent 30°, (Bevel/L) 30° x 3.0 mm, (∅ X L) 2.5 x 16.0 mm

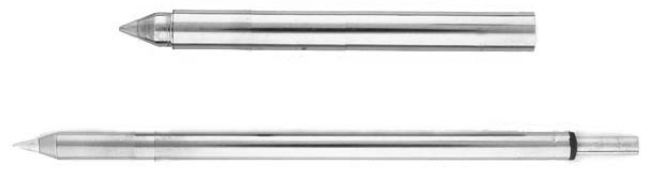


METCAL

OKi

Soldering / Desoldering / Rework
Tips and Cartridges

SELECTION GUIDE



Content

Metcal STTC Soldering Cartridges	1 - 4
Metcal UFTC UltraFine Soldering Cartridges	5 - 6
Metcal SMTC Rework Cartridges	7 - 11
Metcal PTTC Tweezer Cartridges	12
Metcal TATC Talon Cartridges	13
Metcal STDC Desoldering Cartridges	14
Metcal and OKi SSC Soldering Cartridges	15 - 17
OKi SxV Soldering Tips	18 - 22
OKi CxV Soldering Tips	22
OKi PHT Soldering Tips	22 - 24
OKi SxP Soldering & Rework Cartridges	25 - 27
OKi RxP Rework Cartridges	28 - 29
OKi TxP Tweezer Cartridges	30
OKi DxP Desoldering Tips	31
Tip Temperature Chart	32
SmartHeat® Technology	33



**ALL METCAL AND OKI TIPS AND CARTRIDGES
ARE POWERED BY SMARTHEAT® TECHNOLOGY**

SmartHeat® Technology = Variable Power / Fixed Temperature

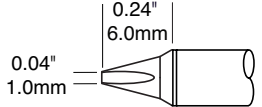
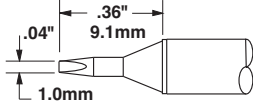
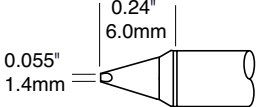
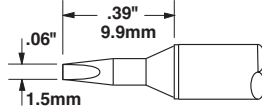
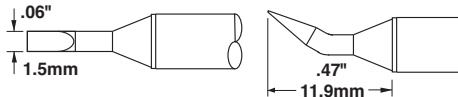
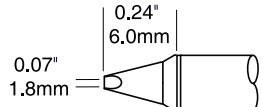
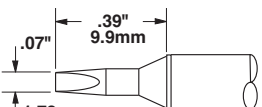
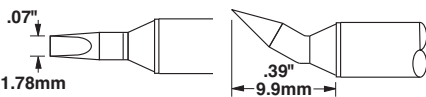
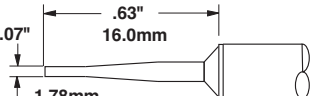
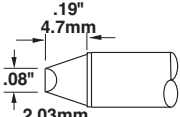
► See page 33 for full explanation



CHISEL

STTC SOLDERING CARTRIDGES

Compatible with: MX-500 and MX-5000 Systems / MX-RM3E and MX-H1-AV hand-pieces

	<p>STTC-125P STTC-825P</p>	<p>Chisel 30° P = Optimised geometry for best thermal performance 1.0mm x 6.5mm (.04" x .25")</p>
	<p>STTC-525 STTC-025 STTC-125 STTC-825</p>	<p>Chisel 30° 1.0mm x 9.1mm (.04" x .33")</p>
	<p>STTC-138P STTC-838P</p>	<p>Chisel 30° P = Optimised geometry for best thermal performance 1.5mm x 6.0mm (.06" x .24")</p>
	<p>STTC-538 STTC-038 STTC-138 STTC-838</p>	<p>Chisel 30° 1.5mm x 9.9mm (.06" x .39")</p>
	<p>STTC-599 STTC-099 STTC-199 STTC-899</p>	<p>Chisel Bent 30° 1.5mm x 11.9mm (.06" x .47")</p>
	<p>STTC-137P STTC-837P</p>	<p>Chisel 30° P = Optimised geometry for best thermal performance 1.78mm x 6.0mm (.07" x .24")</p>
	<p>STTC-537 STTC-037 STTC-137 STTC-837</p>	<p>Chisel Solder Cartridge 30° 1.78mm x 9.9mm (.07" x .39")</p>
	<p>STTC-598 STTC-098 STTC-198 STTC-898</p>	<p>Chisel Bent 30° 1.78mm x 9.9mm (.07" x .39")</p>
	<p>STTC-542 STTC-042 STTC-142 STTC-842</p>	<p>Long Reach Chisel 60° 1.78mm x 16mm (.07" x .63")</p>
	<p>STTC-514 STTC-014 STTC-114</p>	<p>Chisel 45° 2.0mm x 4.7mm (.08" x .19")</p>

5 = 500 Series and 0 = 600 Series for temperature sensitive applications - 1 = 700 Series for most standard applications.
8 = 800 Series for Ceramic and high thermal demand applications.



CHISEL

STTC SOLDERING CARTRIDGES		Compatible with: MX-500 and MX-5000 Systems / MX-RM3E and MX-H1-AV hand-pieces		
	<p>STTC-136P STTC-836P</p>	<p>Chisel 30° P = Optimised geometry for best thermal performance 2.5mm x 6.0mm (.10" x .24")</p>		
		<p>STTC-536 STTC-036 STTC-136 STTC-836</p>	<p>Chisel 30° 2.5mm x 9.9mm (.10" x .39")</p>	
		<p>STTC-513 STTC-013 STTC-113 STTC-813</p>	<p>Chisel 90° 3.0mm x 4.8mm (.12" x .19")</p>	
		<p>STTC-520 STTC-020 STTC-120 STTC-820</p>	<p>Long Reach Chisel 12° 3.8mm x 21.6mm (.15" x .85")</p>	
		<p>STTC-517 STTC-017 STTC-117 STTC-817</p>	<p>Large Chisel 5.0mm x 7.6mm (.20" x .30")</p>	
		<p>STTC-565 STTC-065 STTC-165 STTC-865</p>	<p>Large Chisel 5.0mm x 11.4mm (.20" x .45")</p>	
<p style="writing-mode: vertical-rl; transform: rotate(180deg);">CONICAL</p>		<p>STTC-590 STTC-090 STTC-190 STTC-890</p>	<p>Fine and Long Reach Conical 0.25mm x 13.2mm (.01" x .52")</p>	
		<p>STTC-526 STTC-026 STTC-126 STTC-826</p>	<p>Conical Sharp Bent 30° 0.4mm x 7.9mm (.016" x .31")</p>	
		<p>STTC-522 STTC-022 STTC-122 STTC-822</p>	<p>Conical Sharp 0.4mm x 8.4mm (.016" x .33")</p>	
		<p>STTC-145P STTC-845P</p>	<p>Conical Sharp P = Optimised geometry for best thermal performance 0.4mm x 8.5mm (.016" x .34")</p>	

STTC Soldering Cartridges



CONICAL

STTC SOLDERING CARTRIDGES		Compatible with: MX-500 and MX-5000 Systems / MX-RM3E and MX-H1-AV hand-pieces
	STTC-506 STTC-006 STTC-106 STTC-806	Conical Sharp 0.4mm x 13.7mm (.016" x .54")
	STTC-545 STTC-045 STTC-145 STTC-845	Conical Sharp 0.4mm x 14.7mm (.016" x .58")
	STTC-540 STTC-040 STTC-140 STTC-840	Conical Sharp Bent 30° Long Reach 0.4mm x 16mm (.016" x .63")
	STTC-511 STTC-011 STTC-111	Conical Sharp 0.5mm x 4.6mm (.02" x .18")
	STTC-516 STTC-016 STTC-116 STTC-816	Conical Sharp 0.5mm x 4.8mm (.02" x .19")
	STTC-544 STTC-044 STTC-144 STTC-844	Conical Sharp Bent 30° Long Reach 0.5mm x 14.5mm (.02" x .57")
	STTC-543 STTC-043 STTC-143 STTC-843	Conical Sharp 0.5mm x x 15.2mm (.02" x .6")
	STTC-101P STTC-801P	Conical P = Optimised geometry for best thermal performance 1.0mm x 6.5mm (.04" x .25")
	STTC-531 STTC-031 STTC-131	Conical 1.0mm x 9.9mm (.04" x .39")
	STTC-501 STTC-001 STTC-101	Conical 1.0mm x 13.5mm (.04" x .53")

5 = 500 Series and 0 = 600 Series for temperature sensitive applications - 1 = 700 Series for most standard applications.
 8 = 800 Series for Ceramic and high thermal demand applications.



STTC SOLDERING CARTRIDGES

Compatible with: MX-500 and MX-5000 Systems / MX-RM3E and MX-H1-AV hand-pieces

CONICAL		<p>STTC-507 STTC-007 STTC-107</p>	<p>Conical 1.0mm x 16.7mm (.04" x .66")</p>
		<p>STTC-541 STTC-041 STTC-141 STTC-841</p>	<p>Conical Bent 30° Long Reach 1.3 mm x 21.8mm (.05" x .86")</p>
BEVEL		<p>STTC-546 STTC-046 STTC-146 STTC-846</p>	<p>Long Reach Bevel 60° 1.00mm x 14.2mm (.04" x .56")</p>
		<p>STTC-147P STTC-847P</p>	<p>Bevel 60° P = Optimised geometry for best thermal performance 1.78mm x 6.4mm (.07" x .25")</p>
		<p>STTC-535 STTC-035 STTC-135</p>	<p>Bevel 30° 1.78mm x 9.9mm (.07" x .39")</p>
		<p>STTC-505 STTC-005 STTC-105</p>	<p>Bevel 30° 1.78mm x 11.7mm (.07" x .46")</p>
		<p>STTC-547 STTC-047 STTC-147 STTC-847</p>	<p>Long Reach Bevel 60° 1.78mm x 14.2mm (.07" x .56")</p>

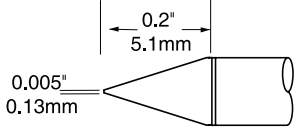
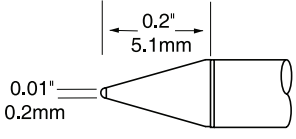
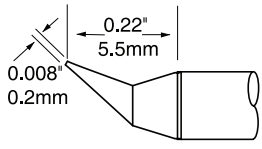
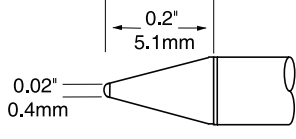
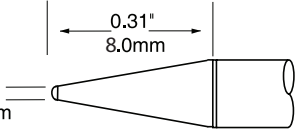
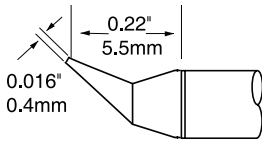
5 = 500 Series and 0 = 600 Series for temperature sensitive applications - 1 = 700 Series for most standard applications.
8 = 800 Series for Ceramic and high thermal demand applications.



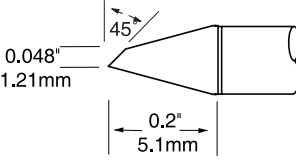
**UFTC ULTRAFINE
SOLDERING CARTRIDGES**

Compatible with: MX-5000 Systems and MX-H2-UF hand-piece

CONICAL

	<p>UFTC-7CN01</p>	<p>Conical 0.13mm x 5.1mm (.005" x .20")</p>
	<p>UFTC-7CN02</p>	<p>Conical 0.2mm x 5.1mm (.01" x .20")</p>
	<p>UFTC-7CNB02</p>	<p>Conical Bent 0.2mm x 5.5mm (0.01" x .22")</p>
	<p>UFTC-7CN04</p>	<p>Conical 0.4mm x 5.1mm (.02" x 0.20")</p>
	<p>UFTC-7CNL04</p>	<p>Conical Long 0.4mm x 8mm (.02" x .31")</p>
	<p>UFTC-7CNB04</p>	<p>Conical Bent 0.4mm x 5.5mm (.02" x .22")</p>

HOOF

	<p>UFTC-7DRH408</p>	<p>Hoof Micro 0.8mm x 5.1mm (.03" x .20")</p>
	<p>UFTC-7DHR412</p>	<p>Hoof Micro 1.2mm x 5.1mm (.048" x .20")</p>

7 = 700 Series for most standard applications



CHISEL

UFTC ULTRAFINE SOLDERING CARTRIDGES		Compatible with: MX-5000 Systems and MX-H2-UF hand-piece
	UFTC-7CH06	Chisel 0.6mm x 5.1mm (.024" x .20")
	UFTC-7CHL06	Chisel Long 0.6mm x 9mm (.024" x .35")
	UFTC-7CH08	Chisel 0.8mm x 5.1mm (.03" x .2")
	UFTC-7CHL08	Chisel Long 0.8mm x 9mm (.03" x .35")
	UFTC-7CH12	Chisel 1.2mm x 5.1mm (.05" x .20")

7 = 700 Series for most standard applications

Compatible with: MX-500 and MX-5000 Systems, MX-RM3E and MX-H1-AV hand-pieces.
All dimensions shown are in mm (inches)

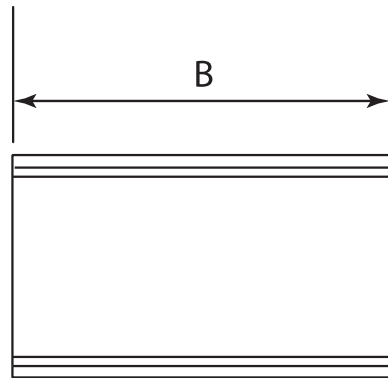
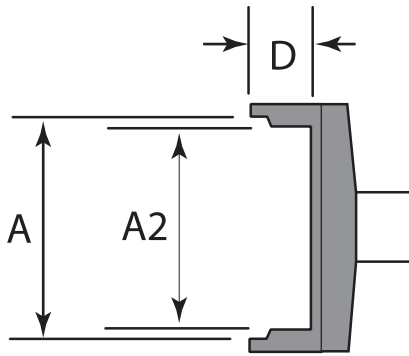
SMTC REWORK CARTRIDGES		A	D	B	SMT TYPE
<div style="writing-mode: vertical-rl; transform: rotate(180deg);">SLOT</div>	SMTC-505 SMTC-005 SMTC-105	1.7 (.068)	1.27 (.05)	2.5 (.10)	SOT-32
	SMTC-596 SMTC-096 SMTC-196	1.78 (.070)	1.02 (.040)	1.02 (.040)	Chip 0402, 0603
	SMTC-588 SMTC-088 SMTC-188	2.03 (.080)	1.52 (.60)	1.27 (.050)	Chip 0402, 0603, 0805
	SMTC-501 SMTC-001 SMTC-101	2.3 (.090)	1.8 (.070)	1.3 (.050)	Chip 0805
	SMTC-502 SMTC-002 SMTC-102	3.6 (.14)	1.8 (.07)	1.5 (.06)	Chip 1206,1210
	SMTC-132	3.81 (.150)	2.54 (.10)	2.41 (.095)	Chip Box B EIA SOPM-3528
	SMTC-536 SMTC-036 SMTC-136	4.8 (.190)	4.06 (.16)	2.8 (.110)	Chip Box B EIA SOPM-4532
	SMTC-503 SMTC-003 SMTC-103	4.83 (.190)	1.91 (.075)	2.03 (.080)	Chip 1812

5 = 500 Series & 0 = 600 Series for temperature sensitive applications. 1 = 700 Series for most standard applications.
8 = 800 Series for Ceramic and high thermal demand applications.

SMTC REWORK CARTRIDGES

Compatible with: MX-500 and MX-5000 Systems, MX-RM3E and MX-H1-AV hand-pieces
All dimensions shown are in mm (inches)

TUNNEL



SMTC Rework Cartridges

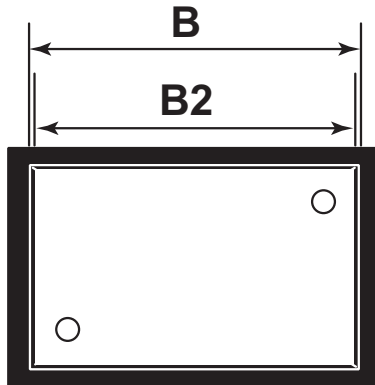
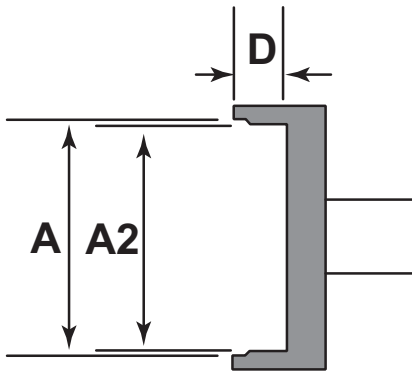
	A	A2	D	B	SMT TYPE
SMTC-004 SMTC-104	5.08 (.20)	5.08 (.20)	2.3 (.90)	4.32 (.17)	SOIC-8
SMTC-006 SMTC-106	5.08 (.20)	5.08 (.20)	2.3 (.90)	10.16 (.40)	SOIC-14,16
SMTC-0142 SMTC-1142	5.18 (.204)	5.18 (.204)	2.54 (.100)	8.89 (.350)	SOIC-14
SMTC-047 SMTC-147	8.51 (.335)	8.51 (.335)	5.08 (.200)	6.35 (.250)	DPAC
SMTC-126	8.64 (.340)	8.0 (.315)	1.88 (.074)	18.8 (.740)	SOJ-28, SOM-32
SMTC-007 SMTC-107	9.53 (.375)	9.53 (.375)	3.20 (.125)	18.3 (.720)	SOIC-28
SMTC-009 SMTC-109	9.53 (.375)	9.53 (.375)	3.18 (.125)	15.75 (.620)	SOIC-24
SMTC-010 SMTC-110	9.53 (.375)	9.53 (.375)	3.20 (.125)	13.20 (.520)	SOIC-20
SMTC-040 SMTC-140	11.43 (.450)	10.40 (.410)	1.90 (.075)	25.9 (1.02)	SOJ-40, SOM-32

5 = 500 Series & 0 = 600 Series for temperature sensitive applications. 1 = 700 Series for most standard applications.
8 = 800 Series for Ceramic and high thermal demand applications.

SMTC REWORK CARTRIDGES

Compatible with: MX-500 and MX-5000 Systems, MX-RM3E and MX-H1-AV hand-pieces
All dimensions shown are in mm (inches)

QUAD



	A	A2	D	B	B2	SMT TYPE
SMTC-0121 SMTC-1121	8.38 (.330)	8.38 (.330)	2.54 (.100)	8.38 (.330)	8.38 (.330)	SQFP 48 (EIJA)
SMTC-0112 SMTC-1112	10.16 (.400)	9.14 (.360)	3.80 (.150)	10.16 (.400)	9.14 (.360)	PLCC 20
SMTC-0120 SMTC-1120	11.18 (.440)	11.18 (.440)	2.54 (.100)	11.18 (.440)	11.18 (.440)	SQFP 64 (EIJA)
SMTC-1159	12.19 (.480)	11.18 (.440)	2.79 (.110)	13.21 (.520)	12.19 (.480)	TQFP 44
SMTC-013 SMTC-113	12.70 (.500)	11.56 (.455)	3.80 (.150)	12.70 (.500)	11.56 (.455)	PLCC 28
SMTC-116	12.70 (.500)	11.43 (.450)	3.80 (.150)	15.24 (.600)	13.97 (.550)	PLCC 32
SMTC-1132	13.34 (.525)	12.32 (.485)	2.79 (.110)	13.34 (.525)	12.32 (.485)	TQFP 80
SMTC-0118 SMTC-1118	15.49 (.610)	14.48 (.570)	2.79 (.110)	15.49 (.610)	14.48 (.570)	VQFP 100 (EIJA)
SMTC-043 SMTC-143	16.51 (.650)	16.51 (.650)	3.30 (.130)	22.48 (.885)	22.48 (.885)	QFP 100 Rectangular
SMTC-014 SMTC-114	17.78 (.700)	16.76 (.660)	3.80 (.150)	17.78 (.700)	16.76 (.660)	PLCC 44
SMTC-117	20.32 (.800)	19.30 (.760)	3.80 (.150)	20.32 (.800)	19.30 (.760)	PLCC 52
SMTC-118	25.27 (.995)	19.30 (.760)	3.80 (.150)	25.27 (.995)	19.30 (.760)	PLCC 68
SMTC-144	26.42 (1.040)	26.42 (1.040)	3.30 (.130)	26.42 (1.040)	26.42 (1.040)	QFP 100 Square

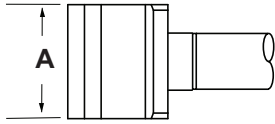
5 = 500 Series & 0 = 600 Series for temperature sensitive applications. 1 = 700 Series for most standard applications.
8 = 800 Series for Ceramic and high thermal demand applications.

SMTC Rework Cartridges

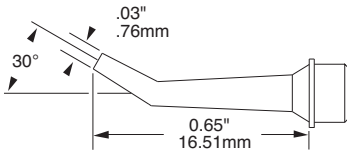
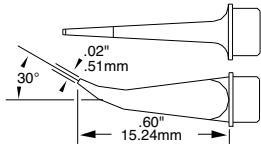
SMTC REWORK CARTRIDGES

Compatible with: MX-500 and MX-5000 Systems, MX-RM3E and MX-H1-AV hand-pieces

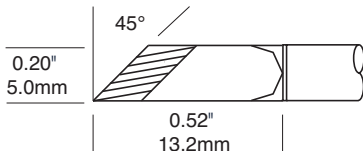
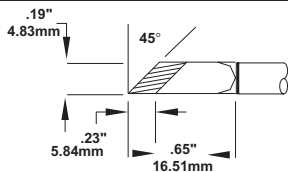
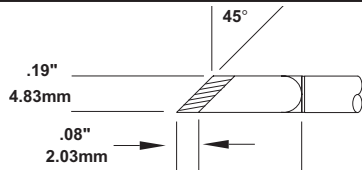
BLADE



HOOK & CONICAL



KNIFE



SMTC Rework Cartridges

		A	BLADE TYPE
BLADE	SMTC-064 SMTC-164	5mm (.20")	Short
	SMTC-560 SMTC-060 SMTC-160 SMTC-860	10mm (.40")	Long
	SMTC-561 SMTC-061 SMTC-161 SMTC-861	15.75mm (.62")	Long
	SMTC-562 SMTC-062 SMTC-162 SMTC-862	22mm (.86")	Long
HOOK & CONICAL	SMTC-5172 SMTC-0172 SMTC-1172 SMTC-8172		Hook Long 30° 0.5mm x 15.24mm (.02"x.06")
	SMTC-5171 SMTC-0171 SMTC-1171 SMTC-8171		Conical Bent 30° 0.76mm x 16.51mm (.03"x .65")
KNIFE	SMTC-5161 SMTC-0161 SMTC-1161		Knife 45° - Increased tinned Area Length 2.03mm (.08") 4.8mm x 16.51mm (.18"x .65")
	SMTC-5173 SMTC-1173 SMTC-8173		Knife 45° - Increased tinned Area Length 5.84mm (.23") 4.8mm x 16.51mm (.18"x .65")
	STTC-1173P STTC-8173P		Knife 45° 5.0mm x 13.2mm (.20" x .52")

HOOF

SMTC REWORK CARTRIDGES

Compatible with: MX-500 and MX-5000 Systems, MX-RM3E and MX-H1-AV hand-pieces

	<p>SMTC-5175 SMTC-0175 SMTC-1175 SMTC-8175</p>	<p>Micro Hoof 60° 0.89mm x 11.43mm (.035"x.45")</p>
	<p>SMTC-5174 SMTC-0174 SMTC-1174</p>	<p>Micro Hoof 60° Long Reach 1.14mm x 16.51mm (.045"x.65")</p>
	<p>SMTC-5167 SMTC-0167 SMTC-1167</p>	<p>Hoof 30° Long Reach 1.52mm x 16.51mm (.06"x.65")</p>
	<p>SMTC-5169 SMTC-0169 SMTC-1169</p>	<p>Hoof 60° Long Reach 2mm x 15.24mm (.08" x .60")</p>
	<p>SMTC-0183 SMTC-1183</p>	<p>Hoof Concave 30° Bent 2.5mm x 16.36mm (.01" x.64")</p>
	<p>SMTC-5170 SMTC-0170 SMTC-1170</p>	<p>Hoof 60° Long Reach 3mm x 15.24mm (.12" x.60")</p>
	<p>SMTC-5147 SMTC-0147 SMTC-1147 SMTC-8147</p>	<p>Hoof 60° Long Reach 3.3mm x 17.78mm (.13" x .70")</p>
	<p>SMTC-198</p>	<p>28 Pin SMT Connector</p>

SPECIALITY

5 = 500 Series and 0 = 600 Series for temperature sensitive applications - 1 = 700 Series for most standard applications.
8 = 800 Series for Ceramic and high thermal demand applications.

SMTC Rework Cartridges

CONICAL

PTTC TWEEZER CARTRIDGES

Compatible with: MX-5000 Systems and MX-PTZ Precision Tweezers hand-piece

BLADE

PTTC Tweezer Cartridges

	<p>PTTC-601 PTTC-701 PTTC-801</p>	<p>Conical 0.4mm x 19mm (.016" x .75")</p>
	<p>PTTC-701B PTTC-801B</p>	<p>Conical Bent 30° 0.4mm x 14.3mm (.016" x .56")</p>
	<p>PTTC-602 PTTC-702 PTTC-802</p>	<p>Blade, thickness 1mm (.04") 1.3mm x 16.5mm (.05" x .65")</p>
	<p>PTTC-603 PTTC-703 PTTC-803</p>	<p>Blade, thickness 1mm (.04") 2mm x 16.5mm (.08" x .65")</p>
	<p>PTTC-608B PTTC-708B PTTC-808B</p>	<p>Blade Bent 30° 3.5mm x 12.1mm (0.12" x .48")</p>
	<p>PTTC-604 PTTC-704 PTTC-804</p>	<p>Blade Bent 22°, thickness 0.7mm (.28") 6.35mm x 12.7mm (.25" x .50")</p>
	<p>PTTC-605 PTTC-705 PTTC-805</p>	<p>Blade Bent 22°, thickness 0.7mm (.28") 16mm x 12.7mm (.63" x .50")</p>
	<p>PTTC-606 PTTC-706 PTTC-806</p>	<p>Blade Bent 22°, thickness 0.7mm (.28") 20.5mm x 12.7mm (.80" x .50")</p>
	<p>PTTC-607 PTTC-707 PTTC-807</p>	<p>Blade Bent 22°, thickness 0.7mm (.28") 28mm x 12.7mm (1.1" x .50")</p>

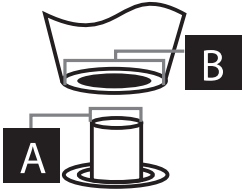

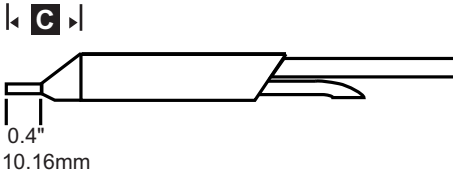
6 = 600 Series for temperature sensitive applications. 1 = 700 Series for most standard applications.
8 = 800 Series for Ceramic and high thermal demand applications.

TATC TALON CARTRIDGES	Compatible with: MX-500 Systems and MX-Talon hand-piece	
	TATC-609	Fine Point, thickness 0.35mm (.013") 0.5mm x 12.45mm (.02" x .49")
	TATC-601	Fine Point, thickness 1.2mm (.047") 0.5mm x 12.45mm (.02" x .49")
	TATC-608	Dual Side, angled Point 1.27mm (.05")
	TATC-602	Blade 6.35mm x 10.16mm (.25" x .40")
	TATC-605	Blade 10mm x 10.93mm (.394" x .43")
	TATC-603	Blade 15.75mm x 8.38mm (.62" x .33")
	TATC-604	Blade 20.57mm x 8.38mm (.81" x .33")
	TATC-606	Blade 27.94mm x 7.62mm (1.1" x .30")

6 = 600 Series for temperature sensitive applications.

STDC DESOLDER CARTRIDGES

Compatible with: MX-500 and MX-5000 Systems, MX-DS1 Desoldering hand-piece
All dimensions shown are in mm (inches)

	A	B	C	TYPE	
  <p>Standard</p>	STDC-102 STDC-802	0.64 (.025)	1.40 (.055)	11.43 (.45)	Standard
	STDC-103 STDC-803	0.76 (.029)	1.68 (.066)	11.17 (.44)	Standard
	STDC-104 STDC-804	1.02 (.04)	1.78 (.07)	10.92 (.43)	Standard
	STDC-105 STDC-805	1.27 (.05)	2.03 (.08)	10.66 (.42)	Standard
	STDC-106 STDC-806	1.52 (.06)	2.29 (.09)	10.41 (.41)	Standard
	STDC-707 STDC-807	2.41 (.09)	3.18 (.12)	9.14 (.36)	Standard
	 <p>Long Reach</p>	STDC-703L STDC-803L	0.76 (.03)	1.68 (.06)	21.33 (.84)
STDC-704L STDC-804L		1.02 (.04)	1.79 (.07)	21.08 (.83)	Long Reach
STDC-705L STDC-805L		1.27 (.05)	2.03 (.08)	20.82 (.82)	Long Reach

1 = 700 Series (standard length) and 7 = 700 Series (long reach) for most standard applications.
8 = 800 Series for Ceramic and high thermal demand applications.



Compatible with: Metcal SP200, OKi MFR-1160 Systems,
Metcal SP-HC12 and OKi MFR-H6-SSC hand-pieces

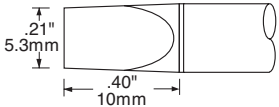
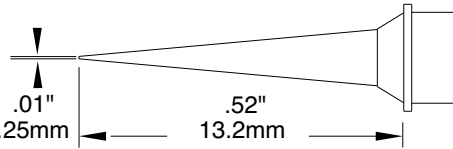
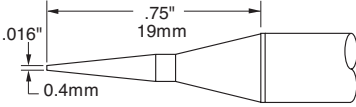
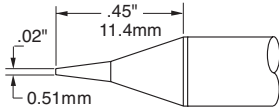
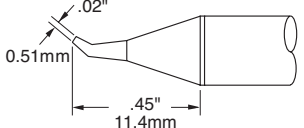
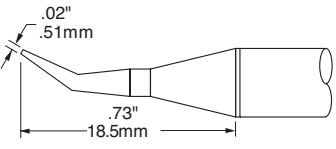
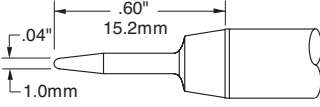
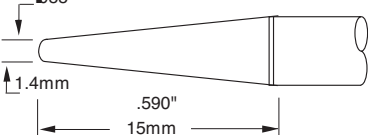
CHISEL

SSC SOLDERING CARTRIDGES		
	<p>SSC-671A SSC-771A</p>	<p>Chisel 1.0mm x 9.1mm (.04" x .36")</p>
	<p>SSC-625A SSC-725A</p>	<p>Chisel 30° 1.0mm x 11mm (.04" x .43")</p>
	<p>SSC-638A SSC-738A</p>	<p>Chisel 30° 1.5mm x 10mm (.06" x .40")</p>
	<p>SSC-637A SSC-737A</p>	<p>Chisel 30° 1.78mm x 9.9mm (.07" x .40")</p>
	<p>SSC-672A SSC-772A</p>	<p>Chisel 1.78mm x 9.9mm (.07" x .39")</p>
	<p>SSC-642A SSC-742A</p>	<p>Long Reach Chisel 60° 1.78mm x 16mm (.07" x .63")</p>
	<p>SSC-670A SSC-770A</p>	<p>Long Reach Chisel 1.78mm x 16.5mm (.07" x .65")</p>
	<p>SSC-636A SSC-736A</p>	<p>Chisel 30° 2.5mm x 9.9mm (.10" x .39")</p>
	<p>SSC-613A SSC-713A</p>	<p>Chisel 90° 3.0mm x 7.6mm (.12" x .30")</p>
	<p>SSC-646A SSC-746A</p>	<p>Long Reach Chisel 3.0mm x 16.5mm (.12" x .65")</p>



Compatible with: Metcal SP200, OKi MFR-1160 Systems, Metcal SP-HC12 and OKi MFR-H6-SSC hand-pieces

CONICAL

SSC SOLDERING CARTRIDGES		
	SSC-617A SSC-717A	Extra Large Chisel 5.3mm x 10mm (.21" x .40")
	SSC-690A SSC-790A	Long Reach Micro Fine Conical 0.25mm x 13.2mm (.01" x .52")
	SSC-645A SSC-745A	Conical Sharp Long Reach 0.4mm x 19mm (.016" x .75")
	SSC-622A SSC-722A	Conical Sharp 0.51mm x 11.4mm (.02" x .45")
	SSC-626A SSC-726A	Conical Sharp Bent 30° 0.51mm x 11.4mm (.02" x .45")
	SSC-654A SSC-754A	Conical Sharp Bent 30° Long Reach 0.5mm x 18.5mm (.02" x .73")
	SSC-601A SSC-701A	Conical Sharp 1.0mm x 15.2mm (.04" x .60")
	SSC-674A SSC-774A	Conical 1.4mm x 15mm (.055" x .590")

6 = 600 Series for temperature sensitive applications - 7 = 700 Series for most standard applications.



Compatible with: Metcal SP200, OKi MFR-1160 Systems,
Metcal SP-HC12 and OKi MFR-H6-SSC hand-pieces

SSC SOLDERING CARTRIDGES

HOOF		<p>SSC-667A SSC-767A</p>	<p>Mini-Hoof 1.27mm x 17.8mm (.05" x .70")</p>
		<p>SSC-639A SSC-739A</p>	<p>Hoof 2.3mm x 17.8mm (.016" x .70")</p>
KNIFE		<p>SSC-661A SSC-761A</p>	<p>Knife 45° 4.5mm x 16.25mm (.18" x .64")</p>
		<p>SSC-673A SSC-773A</p>	<p>Knife 45° Increased tinned area 5.1mm x 16.25mm (.24" x .64")</p>
BEVEL		<p>SSC-647A SSC-747A</p>	<p>Bevel 60° 1.78mm x 14.2mm (.07" x .56")</p>

6 = 600 Series for temperature sensitive applications - 7 = 700 Series for most standard applications.



Compatible with: PS-900, MFR-1120, MFR-2220, MFR-2222 Systems, PS-HC3 and MFR-H2-ST hand-pieces, PS-CA3 and MFR-CA2 Coil Assemblies

CHISEL	SxV SOLDERING TIPS		
	NEW		SFV-CH10A STV-CH10A SCV-CH10A Chisel <i>Optimised for thermal performance</i> 1.0mm x 18.3mm (.04" x .719")
	OLD STYLE		SFV-CH10AR STV-CH10AR SCV-CH10AR Chisel <i>Original Easy Access Geometry</i> 1.0mm x 13.7mm (.04" x .54")
		SFV-CH10 STV-CH10 SCV-CH10 Chisel 1.0mm x 11mm (.04" x .43")	
	NEW		SFV-CH15A STV-CH15A SCV-CH15A Chisel <i>Optimised for thermal performance</i> 1.5mm x 11.3mm (.06" x .44")
	OLD STYLE		SFV-CH15AR STV-CH15AR SCV-CH15AR Chisel <i>Original Easy Access Geometry</i> 1.5mm x 13.4mm (.06" x .528")
		SFV-CHB15 STV-CHB15 SCV-CHB15 Chisel Bent 30° 1.5mm x 12.2mm (.06" x .48")	
		SFV-CH18AR STV-CH18AR SCV-CH18AR Chisel <i>Original Easy Access Geometry</i> 1.8mm x 13.4mm (.07" x .528")	
		SFV-CH20 STV-CH20 SCV-CH20 Chisel 2.0mm x 11mm (.08" x .43")	
	NEW		SFV-CH24A STV-CH24A SCV-CH24A Chisel Long Reach <i>Optimised for thermal performance</i> 2.4mm x 18.3mm (.094" x .719")
	SFV-CH25AR STV-CH25AR SCV-CH25AR Chisel <i>Original Easy Access Geometry</i> 2.5mm x 13.4mm (.10" x .528")		

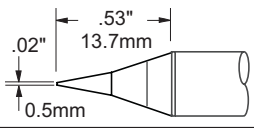
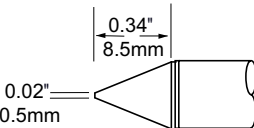
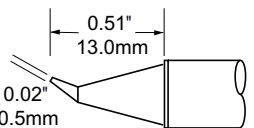
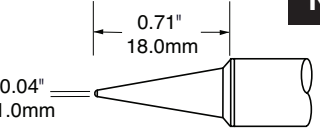
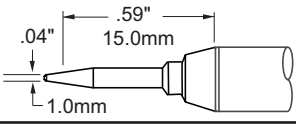
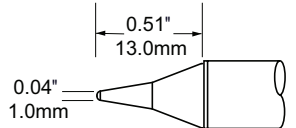
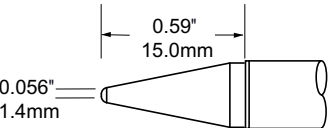
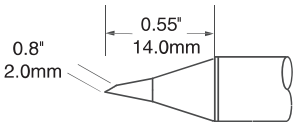
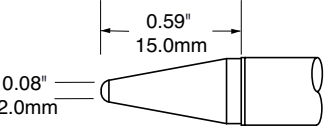
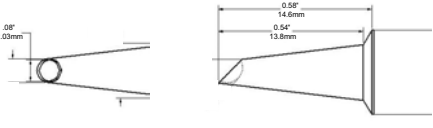


Compatible with: PS-900, MFR-1120, MFR-2220, MFR-2222 Systems, PS-HC3 and MFR-H2-ST hand-pieces, PS-CA3 and MFR-CA2 Coil Assemblies

CHISEL	SxV SOLDERING TIPS			
		SFV-CH25 STV-CH25 SCV-CH25	Chisel 2.5mm x 11mm (.10" x .43")	
		SFV-CH30AR STV-CH30AR SCV-CH30AR	Chisel <i>Original Easy Access Geometry</i> 3.0mm x 13.4mm (.12" x .528")	
	NEW		SFV-CH50A STV-CH50A SCV-CH50A	Chisel <i>Optimised for thermal performance</i> 5.0mm x 11.3mm (.20" x .44")
	OLD STYLE		SFV-CH50AR STV-CH50AR SCV-CH50AR	Chisel <i>Original Easy Access Geometry</i> 5.0mm x 11.7mm (.197" x .461")
		SFV-CH50 STV-CH50 SCV-CH50	Chisel 5.0mm x 10mm (.20" x .4")	
CONICAL	OLD STYLE		SFV-CNL03AR STV-CNL03AR SCV-CNL03AR	Conical Long Reach <i>Original Easy Access Geometry</i> 0.3mm x 18.4mm (.01" x .724")
	NEW		SFV-CNB04A STV-CNB04A SCV-CNB04A	Conical Bent Long Reach <i>Optimised for thermal performance</i> 0.4mm x 15.5mm (.016" x .61")
	NEW		SFV-CN05A STV-CN05A SCV-CN05A	Conical Long Reach <i>Optimised for thermal performance</i> 0.4mm x 18.2mm (.016" x .72")
	OLD STYLE		SFV-CNB04AR STV-CNB04AR SCV-CNB04AR	Conical Bent <i>Original Easy Access Geometry</i> 0.4mm x 19.6mm (.016" x .77")
			SFV-CNL04 STV-CNL04 SCV-CNL04	Conical 0.4mm x 13.6mm (.016" x .53")



Compatible with: PS-900, MFR-1120, MFR-2220, MFR-2222 Systems, PS-HC3 and MFR-H2-ST hand-pieces, PS-CA3 and MFR-CA2 Coil Assemblies

CONICAL	SxV SOLDERING TIPS		
	OLD STYLE		
		SFV-CN05AR STV-CN05AR SCV-CN05AR	Conical <i>Original Easy Access Geometry</i> 0.5mm x 13.7mm (.02" x .53")
		SFV-CN05 STV-CN05 SCV-CN05	Conical 0.5mm x 8.5mm (.02" x .34")
		SFV-CNB05 STV-CNB05 SCV-CNB05	Conical Bent 0.5mm x 13mm (.02" x .51")
	NEW		
		SFV-CNL10A STV-CNL10A SCV-CNL10A	Conical Long Reach <i>Optimised for thermal performance</i> 1.0mm x 18mm (.04" x .71")
	OLD STYLE		
		SFV-CNL10AR STV-CNL10AR SCV-CNL10AR	Conical Long Reach <i>Original Easy Access Geometry</i> 1.0mm x 13.7mm (.04" x .54")
		SFV-CNL10 STV-CNL10 SCV-CNL10	Conical Long Reach 1.0mm x 13mm (.04" x .51")
	SFV-CNL14 STV-CNL14 SCV-CNL14	Conical Long Reach 1.4mm x 15mm (.056" x .59")	
	SFV-DRH20 STV-DRH20 SCV-DRH20	Conical Bevel 2.0mm x 14mm (.08" x .55")	
	SFV-CNL20 STV-CNL20 SCV-CNL20	Conical Long Reach 2.0mm x 14mm (.08" x .59")	
	SFV-WV20 STV-WV20 SCV-WV20	Conical Wave Hoof 45° 2.0mm x 13.8mm (.08" x .54")	

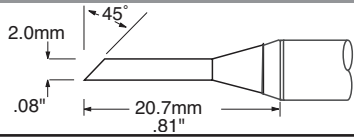


Compatible with: PS-900, MFR-1120, MFR-2220, MFR-2222 Systems, PS-HC3 and MFR-H2-ST hand-pieces, PS-CA3 and MFR-CA2 Coil Assemblies

HOOF

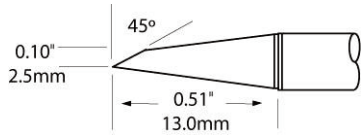
SxV SOLDERING TIPS

OLD STYLE



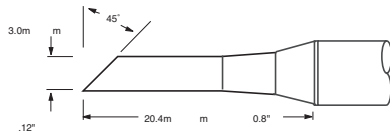
SFV-DRH420AR
STV-DRH420AR
SCV-DRH420AR

Hoof 45° Long Reach
Original Easy Access Geometry
2.0mm x 20.7mm (.08" x .81")



SFV-DRH20CP
STV-DRH20CP
SCV-DRH20CP

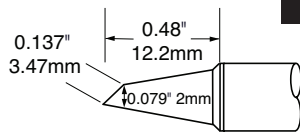
Hoof 45°
CP = Chrome Plating, face only
2.5mm x 13mm (.10" x .51")



SFV-DRH430AR
STV-DRH430AR
SCV-DRH430AR

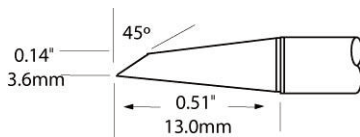
Hoof 45° Long Reach
Original Easy Access Geometry
3mm x 20.4mm (.12" x .8")

NEW



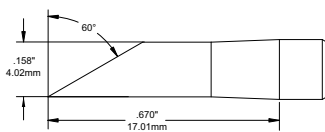
SFV-DRH420A
STV-DRH420A
SCV-DRH420A

Hoof
Optimised for thermal performance
3.47mm x 12.2mm (.137" x .48")



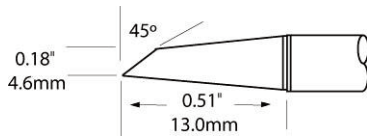
SFV-DRH30CP
STV-DRH30CP
SCV-DRH30CP

Hoof 45°
CP = Chrome Plating, face only
3.6mm x 13mm (.14" x .51")



SFV-DRH640AR
STV-DRH640AR
SCV-DRH640AR

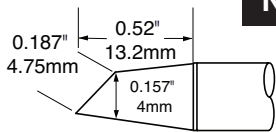
Hoof 60° Long Reach
Original Easy Access Geometry
4mm x 17mm (.15" x .67")



SFV-DRH40CP
STV-DRH40CP
SCV-DRH40CP

Hoof 45°
CP = Chrome Plating, face only
4.6mm x 13mm (.18" x .51")

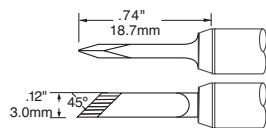
NEW



SFV-DRH440A
STV-DRH440A
SCV-DRH440A

Hoof
Optimised for thermal performance
4.75mm x 13.2mm (.187" x .52")

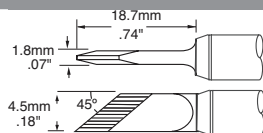
KNIFE



SFV-DRK30AR
STV-DRK30AR
SCV-DRK30AR

Knife 45° Long Reach
Original Easy Access Geometry
3mm x 18.7mm (.12" x .74")

OLD STYLE



SFV-DRK45AR
STV-DRK45AR
SCV-DRK45AR

Knife 45° Long Reach
Original Easy Access Geometry
4.5mm x 18.7mm (.18" x .74")



SxV SOLDERING TIPS

Compatible with: PS-900, MFR-1120, MFR-2220, MFR-2222 Systems, PS-HC3 and MFR-H2-ST hand-pieces, PS-CA3 and MFR-CA2 Coil Assemblies

KNIFE

	<p>SFV-DRK45A STV-DRK45A SCV-DRK45A</p>	<p>Knife 45° <i>Optimised for thermal performance</i> 5.0mm x 15.1mm (.20" x .60")</p>
	<p>SFV-DRK50 STV-DRK50 SCV-DRK50</p>	<p>Knife 45° 5.0mm x 14mm (.20" x .55")</p>

F = FR4 / Fiber Glass, for most standard applications T = Temperature Sensitive C = Ceramic for high thermal demand applications.

CxV BLADE TIPS

Compatible with: PS-900, MFR-1120, MFR-2220, MFR-2222 Systems, PS-HC3 and MFR-H2-ST hand-pieces, PS-CA3 and MFR-CA2 Coil Assemblies

				A
	CFV-BL100 CTV-BL100 CCV-BL100	10mm (.40")		
	CFV-BL250 CTV-BL250 CCV-BL250	25mm (1")		
	CFV-BL350 CTV-BL350 CCV-BL350	35mm (1.4")		
	CFV-BL400 CTV-BL400 CCV-BL400	40mm (1.6")		
	CFV-BL500 CTV-BL500 CCV-BL500	50mm (2")		

F = FR4 / Fiber Glass, for most standard applications T = Temperature Sensitive C = Ceramic for high thermal demand applications.



CHISEL

SxP SOLDERING & REWORK CARTRIDGES		Compatible with: MFR-1110, MFR-1161, MFR-2211, MFR-2241 Systems and MFR-H1-SC hand-piece	
	<p>SFP-CH10 STP-CH10 SCP-CH10</p>	<p>Chisel 30° 1.0mm x 9.2mm (.04" x .36")</p>	
	<p>SFP-CH15 STP-CH15 SCP-CH15</p>	<p>Chisel 30° 1.5mm x 10mm (.06" x .39")</p>	
	<p>SFP-CHB15 STP-CHB15 SCP-CHB15</p>	<p>Chisel 30° Bent 1.5mm x 12.04mm (.06" x .474")</p>	
	<p>SFP-CH20 STP-CH20 SCP-CH20</p>	<p>Chisel 30° 2.0mm x 10mm (.08" x .4")</p>	
	<p>SFP-CHL20 STP-CHL20 SCP-CHL20</p>	<p>Chisel 60° Long Reach 2.0mm x 16.04mm (.08" x .632")</p>	
	<p>SFP-CH25 STP-CH25 SCP-CH25</p>	<p>Chisel 30° 2.5mm x 10mm (.10" x .39")</p>	
	<p>SFP-CH30 STP-CH30 SCP-CH30</p>	<p>Chisel 30° 3.0mm x 11mm (.12" x .43")</p>	
	<p>SFP-CH35 STP-CH35 SCP-CH35</p>	<p>Chisel 30° 3.5mm x 11mm (.12" x .43")</p>	
	<p>SFP-CH50 STP-CH50 SCP-CH50</p>	<p>Chisel 30° 5.0mm x 7.6mm (.20" x .3")</p>	

F = FR4 / Fiber Glass, for most standard applications T = Temperature Sensitive C = Ceramic for high thermal demand applications

SxP Soldering and Rework Cartridges



CONICAL

SxP SOLDERING & REWORK CARTRIDGES		Compatible with: MFR-1110, MFR-1161, MFR-2211, MFR-2241 Systems and MFR-H1-SC hand-piece	
	<p>SFP-CN04 STP-CN04 SCP-CN04</p>	<p>Conical 0.4mm x 8.6mm (.016" x .34")</p>	
	<p>SFP-CNB04 STP-CNB04 SCP-CNB04</p>	<p>Conical Bent 0.4mm x 15.21mm (.016" x .6")</p>	
	<p>SFP-CNL04 STP-CNL04 SCP-CNL04</p>	<p>Conical Long Reach 0.4mm x 14.9mm (.016" x .59")</p>	
	<p>SFP-CN05 STP-CN05 SCP-CN05</p>	<p>Conical 0.5mm x 4.95mm (.02" x .20")</p>	
	<p>SFP-CNB05 STP-CNB05 SCP-CNB05</p>	<p>Conical Bent Long Reach 0.5mm x 14.7mm (.02" x .58")</p>	
	<p>SFP-CNL06 SCP-CNL06</p>	<p>Conical Long Reach 0.6mm x 14.9mm (.023" x .59")</p>	
	<p>SFP-BLV10 STP-BLV10 SCP-BLV10</p>	<p>Bevel 60° 1.0mm x 14.22mm (.04" x .56")</p>	

BEVEL

F = FR4 / Fiber Glass, for most standard applications T = Temperature Sensitive C = Ceramic for high thermal demand applications

SxP Soldering and Rework Cartridges



**SxP SOLDERING & REWORK
CARTRIDGES**

Compatible with: MFR-1110, MFR-1161, MFR-2211, MFR-2241 Systems and MFR-H1-SC hand-piece

HOOF		<p>SFP-DRH05 STP-DRH05 SCP-DRH05</p>	<p>Hoof 0.5mm x 15.21mm (.02" x .6")</p>
		<p>SFP-DRH610 STP-DRH610 SCP-DRH610</p>	<p>Hoof 1.0mm x 11.6mm (.04" x .45")</p>
		<p>SFP-DRH15 STP-DRH15 SCP-DRH15</p>	<p>Hoof 15° 1.5mm x 16.5mm (.06" x .65")</p>
		<p>SFP-DRH615 STP-DRH615 SCP-DRH615</p>	<p>Hoof 60° 1.5mm x 11.6mm (.06" x .46")</p>
		<p>SFP-DRH35 STP-DRH35 SCP-DRH35</p>	<p>Hoof Long Reach 3.5mm x 17.78mm (.14" x .7")</p>
KNIFE		<p>SFP-DRK50 STP-DRK50 SCP-DRK50</p>	<p>Knife 5.0mm x 16mm (.20" x .63")</p>

F = FR4 / Fiber Glass, for most standard applications T = Temperature Sensitive C = Ceramic for high thermal demand applications

RxP REWORK CARTRIDGES

Compatible with: MFR-1110, MFR-1161, MFR-2211, MFR-2241 Systems and MFR-H1-SC hand-piece
All dimensions shown are in mm (inches)

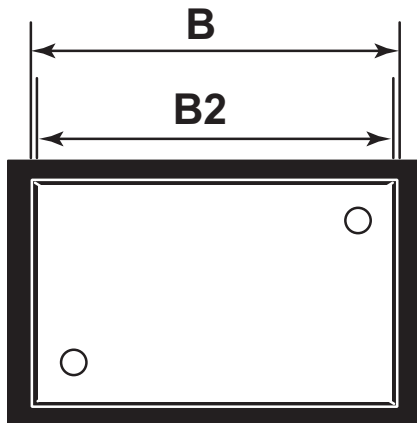
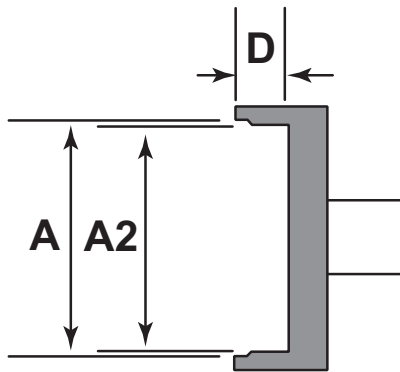
		A	B	D	SMT TYPE	
BLADE		RFP-BL1 RCP-BL1	10 (0.41)	-	-	-
		RFP-BL2 RCP-BL2	15.6 (0.62)	-	-	-
		RFP-BL3 RCP-BL2	22.1 (0.87)	-	-	-
TUNNEL		RFP-DL1 RCP-DL1	5.18 (0.204)	4.32 (0.17)	3.22 (0.127)	Tunnel SOIC-8
		RFP-DL2 RCP-DL2	5.18 (0.204)	4.32 (0.17)	2.29 (.09)	Tunnel SOIC-14-16
		RFP-DL3 RCP-DL3	6.86 (.270)	11.15 (0.44)	2.29 (.09)	Tunnel SOMC-16
SLOT		RFP-SL1 RCP-SL1	2.34 (.092)	1.37 (.054)	1.78 (.07)	0805 Chip Package
		RFP-SL2 RCP-SL2	3.48 (.137)	1.63 (.064)	1.78 (.07)	0805 Chip Package

F = FR4 / Fiber Glass, for most standard applications C = Ceramic for high thermal demand applications.

RxP REWORK CARTRIDGES

Compatible with: MFR-1110, MFR-1161, MFR-2211, MFR-2241 Systems and MFR-H1-SC hand-piece
All dimensions shown are in mm (inches)

QUAD



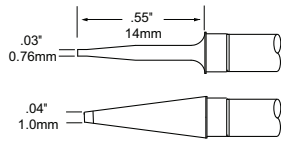
	A	A2	D	B	B2	SMT TYPE
RFP-QD4 RCP-QD4	12.70 (.500)	11.43 (.450)	3.81 (.150)	15.24 (.600)	13.97 (.550)	PLCC 32
RFP-QD6 RCP-QD6	17.78 (.700)	16.76 (.660)	3.81 (.150)	17.78 (.700)	16.76 (.660)	PLCC 44
RFP-QD7 RCP-QD7	25.27 (.995)	24.38 (.960)	5.59 (.220)	25.27 (.995)	24.38 (.960)	PLCC 68
RFP-QD10 RCP-QD10	20.32 (.800)	19.30 (.760)	3.81 (.150)	20.32 (.800)	19.30 (.760)	PLCC 52
RFP-QD15 RCP-QD15	13.34 (.525)	12.32 (.485)	2.79 (.110)	13.34 (.525)	12.32 (.485)	TQFP 80
RFP-QD19 RCP-QD19	16.13 (.635)	16.13 (.635)	3.30 (.130)	16.13 (.635)	16.13 (.635)	QFP 44
RFP-QD20 RCP-QD20	16.51 (.650)	16.51 (.650)	3.30 (.130)	22.48 (.885)	22.48 (.885)	QFP 100

F = FR4 / Fiber Glass, for most standard applications C = Ceramic for high thermal demand applications.

BLADE

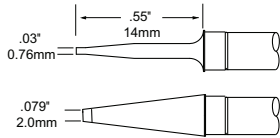
TxP Tweezer Cartridges

Compatible with: MFR-1140, MFR-2240, MFR2241 Systems and MFR-H4-TW hand-piece



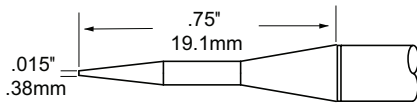
TFP-BLP1
TTP-BLP1
TCP-BLP1

1.0mm x 14mm (.04" x .55")



TFP-BLP2
TTP-BLP2
TCP-BLP2

2.0mm x 14mm (.08" x .55")



TFP-CNP1
TTP-CNP1
TCP-CNP1

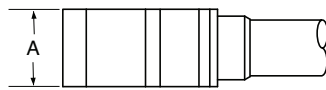
Conical
0.4mm x 19.1mm (.015" x .75")

HEAVY DUTY

A

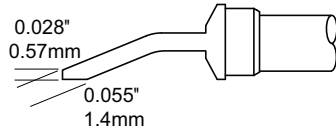
TFP-BLH40
TTP-BLH40
TCP-BLH40

6.35mm
(.25")



TFP-BLH50
TTP-BLH50
TCP-BLH50

16mm
(.62")




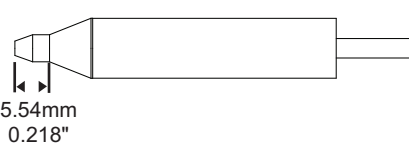
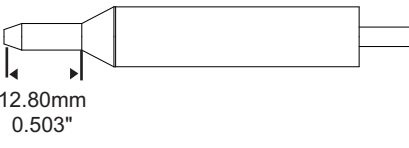
TFP-BLH60
TTP-BLH60
TCP-BLH60

20.5mm
(.81")

TFP-BLH70
TTP-BLH70
TCP-BLH70

28mm
(1.1")

F = FR4 / Fiber Glass, for most standard applications T = Temperature Sensitive C = Ceramic for high thermal demand applications.

DxP DESOLDERING TIPS		Compatible with: MFR-DSX, MFR-DSI, MFR-SDX, MFR-SDI Systems and MFR-HDS hand-piece All dimensions shown are in mm (inches)			
  <p>Standard</p>  <p>Long Reach</p>		A	B	TYPE	
		DFP-CN2 DCP-CN2	0.67 (.026)	1.80 (.070)	Standard
		DFP-CN3 DCP-CN3	0.79 (.031)	2.05 (.080)	Standard
		DFP-CN4 DCP-CN4	1.05 (.041)	2.30 (.090)	Standard
		DFP-CN5 DCP-CN5	1.31 (.052)	2.65 (.104)	Standard
		DFP-CN6 DCP-CN6	1.55 (.061)	2.85 (.112)	Standard
		DFP-CN7 DCP-CN7	2.44 (.096)	3.65 (.143)	Standard
		DFP-CNL3 DCP-CNL3	0.79 (.031)	2.05 (.080)	Long Reach
		DFP-CNL4 DCP-CNL4	1.05 (.041)	2.30 (.090)	Long Reach
		DFP-CNL5 DCP-CNL5	1.31 (.052)	2.65 (.104)	Long Reach

F = FR4 / Fiber Glass, for most standard applications C = Ceramic for high thermal demand applications

Maximum Tip Temperature for SmartHeat® Soldering Cartridges and Tips

SmartHeat® Technology is unique in that it senses the specific thermal demand directly at the solder pad and delivers the precise quantity and flow of thermal energy during both flux activation and inter-metallic bonding phases without any adjustment and calibration. SmartHeat® is radically different and provides users the only fully safe and thermally effective soldering lead free solution.

Conventional technology senses and responds to the tip temperature and not the thermal energy demand of the solder joint and users are required to calibrate their systems regularly. In today's lead free environment, the conventional technology is thermally inefficient to produce good quality solder joints consistently and leaves process control in the hands of the individual operators.

Good quality joints are a result of precise quantity and flow of thermal energy and not tip temperature. Fixed temperature cartridges and tips offer users a fully safe and thermally effective solution to their lead free soldering needs as well as complete process control. Furthermore, fixed temperature cartridges and tips can offer better tip life because they can operate at a lower temperature than conventional technology. Please speak to our representatives on proper tip selection for your soldering applications.

Based on historical practices, we acknowledged that some of our customers have specific maximum temperature criteria to meet when choosing a tip/cartridge for a particular application. The table below provides the max tip temperature for our soldering cartridges/tips:

Serie	Part Number	Application	Max tip temperature
METCAL			
500	STTC-5xx, SMTC-5xxx, SSC-5xx	Temperature Sensitive	575°F/302°C
600	STTC-0xx, PTTC-6xx, UFTC-6xxxx, SMTC-0xxx, TATC-6xx, SSC-6xx	Temperature Sensitive	675°F/357°C
700	STTC-1xx, PTTC-7xx, UFTC-7xxxx, SMTC-1xxx, STDC-1xx, STDC-7xx, SSC-7xx	FR4/Glass Fiber	775°F/412°C
800	STTC-8xx, SMTC-8xx, PTTC-8xx	Ceramic	950°F/510°C
OKI			
650	PHT-65xxxx	Temperature Sensitive	680°F/360°C
750	PHT-75xxxx	FR4/Glass Fiber	780°F/416°C
T	STP-xxxx, STV-xxxx, TTP-xxx	Temperature Sensitive	690°F/365°C
F	SFP-xxxx, SFV-xxxx, RFP-xxx, TFP-xxx, DFP-xxx	FR4/Glass Fiber	790°F/421°C
C	SCP-xxxx, SCV-xxxx, RCP-xxx, TCP-xxx, DCP-xxx	Ceramic	860°F/460°C

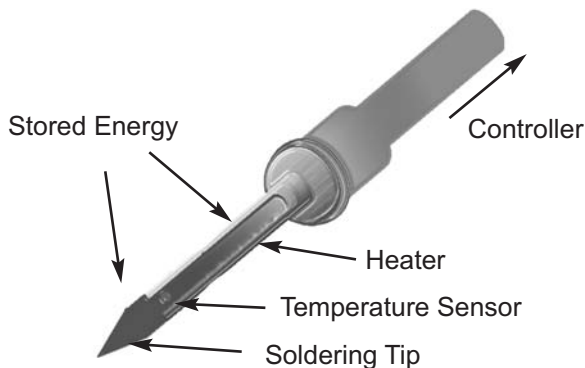
What is SmartHeat® Technology?

SmartHeat® senses the exact thermal requirement for each solder joint and responds by delivering the precise amount of thermal energy required to create a reliable connection.

The result is a high degree of control without resorting to higher tip idle temperatures required by conventional heater process technologies. Consequently, the risk of component and board damage is minimized. This is especially important with the greater thermal demands required by lead-free applications.

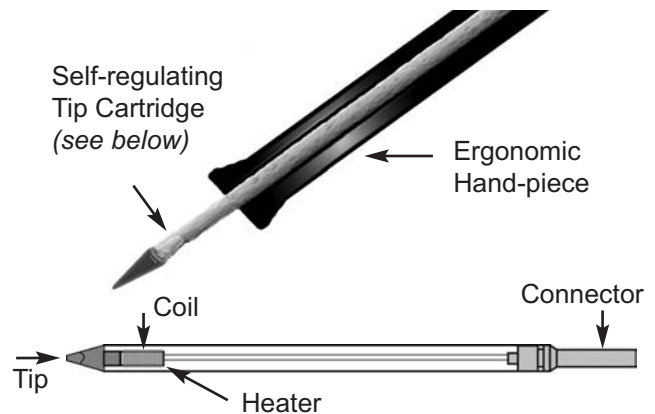
Conventional Soldering Technology = Fixed Power / Variable Temperature

- ▶ Conventional soldering irons are fixed power systems that store energy in the tip, they don't adjust power in response to thermal demand.
- ▶ The temperature needs to be manually set and adjusted to vary the amount of thermal energy applied, the operator can vary the process.
- ▶ The tip cools as it heats the joint and the heater reheats the tip, often overshooting the set temperature.
- ▶ Conventional soldering systems require calibration.
- ▶ The actual tip temperature can vary widely from set point, slowing the process and causing thermal damage and poor solder joint quality.



SmartHeat® Soldering Technology = Variable Power / Fixed Temperature

- ▶ SmartHeat® tips and cartridges sense the load and instantly deliver the right amount of heat directly to the solder joint.
- ▶ The required solder joint temperature drives the heating process, as opposed to the idle tip temperature setting (as in a conventional iron).
- ▶ Operates at lower safer temperatures. Power is delivered in proportion to the load. SmartHeat® technology eliminates overshoot.
- ▶ No calibration required - saves money and eliminates system down-time.



okinternational

Company Locations

OK International - USA
12151 Monarch Street
Garden Grove, CA 92841
Tel: 1-714-799-9910
Fax: 1-714-799-9533
northamerica@okinternational.com

OK International Ltd. - UK
Eagle Close, Chandlers Ford
Hampshire, SO53 4NF
Tel: +44 (0) 23 8048 9100
Fax: +44 (0) 23 8048 9109
europe@okinternational.com

OK International - China
4 Floor West, 1st Building,
Tingwe Industrial Park,
6 Liufang Road
Baocheng 67 th Area, Baofan District
Shenzhen, Guangdong, 518101, PRC
TEL: +86-755-2759-9247
china@okinternational.com

Sales Support
Germany
Tel: +49 (0)6101 522 7470
Fax: +49 (0)6101 522 7479
d-info@okinternational.com

France
Tel: +33 (0)1 76 71 04 03
Fax: +33 (0)1 70 71 21 50
fr-info@okinternational.com

Japan
Sales: +81-198-22-7928
Service: +81-03-4520-9629
Fax: +81-03-6745-1439

India
Tel: +91-9821852474
drane@okinternational.com

Singapore
Tel: +65 9798 4443
ryip@okinternational.com

OK International Official Distributors
www.okinternational.com/wtb

Web Store
www.okinternational.com/store

Watch our product videos
www.okinternational.com/video

www.okinternational.com/oki - www.metcal.com